



- (51) **International Patent Classification:**  
*H04B 3/32* (2006.01)      *H04L 25/02* (2006.01)
- (21) **International Application Number:**  
PCT/IB2009/052638
- (22) **International Filing Date:**  
19 June 2009 (19.06.2009)
- (25) **Filing Language:** English
- (26) **Publication Language:** English
- (30) **Priority Data:**  
0804429      4 August 2008 (04.08.2008)      FR
- (71) **Applicant (for all designated States except US):** EXCEM [FR/FR]; 12 chemin des Hauts de Clairefontaine, F-78580 Maule (FR).
- (72) **Inventors; and**
- (75) **Inventors/Applicants (for US only):** BROYDE, Frederic [FR/FR]; 12 chemin des Hauts de Clairefontaine, F-78580 Maule (FR). CLAVELIER, Evelyne [FR/FR]; 12 chemin des Hauts de Clairefontaine, F-78580 Maule (FR).
- (81) **Designated States (unless otherwise indicated, for every kind of national protection available):** AE, AG, AL, AM, AO, AT, AU, AZ, BA, BB, BG, BH, BR, BW, BY, BZ, CA, CH, CL, CN, CO, CR, CU, CZ, DE, DK, DM, DO, DZ, EC, EE, EG, ES, FI, GB, GD, GE, GH, GM, GT, HN, HR, HU, ID, IL, IN, IS, JP, KE, KG, KM, KN, KP, KR, KZ, LA, LC, LK, LR, LS, LT, LU, LY, MA, MD, ME, MG, MK, MN, MW, MX, MY, MZ, NA, NG, NI, NO, NZ, OM, PE, PG, PH, PL, PT, RO, RS, RU, SC, SD, SE, SG, SK, SL, SM, ST, SV, SY, TJ, TM, TN, TR, TT, TZ, UA, UG, US, UZ, VC, VN, ZA, ZM, ZW.
- (84) **Designated States (unless otherwise indicated, for every kind of regional protection available):** ARIPO (BW, GH, GM, KE, LS, MW, MZ, NA, SD, SL, SZ, TZ, UG, ZM, ZW), Eurasian (AM, AZ, BY, KG, KZ, MD, RU, TJ, TM), European (AT, BE, BG, CH, CY, CZ, DE, DK, EE, ES, FI, FR, GB, GR, HR, HU, IE, IS, IT, LT, LU, LV, MC, MK, MT, NL, NO, PL, PT, RO, SE, SI, SK, TR), OAPI (BF, BJ, CF, CG, CI, CM, GA, GN, GQ, GW, ML, MR, NE, SN, TD, TG).
- Published:**  
— with international search report (Art. 21(3))

(54) **Title:** METHOD FOR PSEUDO-DIFFERENTIAL TRANSMISSION USING MODAL ELECTRICAL VARIABLES

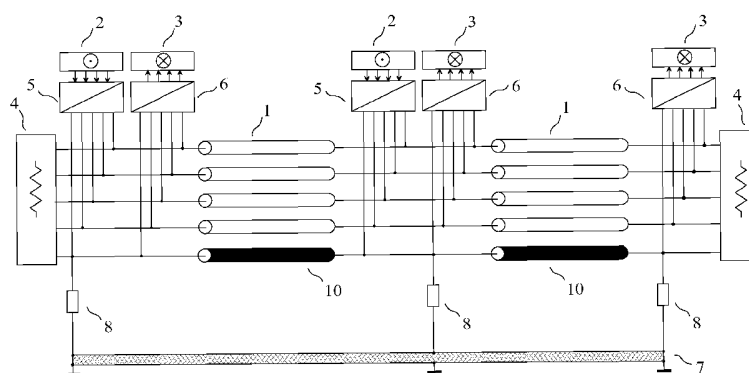


FIG. 15

(57) **Abstract:** The invention relates to a method and a device for pseudo-differential transmission in interconnections used for sending a plurality of electrical signals. The ends of an interconnection (1) having 4 transmission conductors and a return conductor (10) distinct from the reference conductor (7) are each connected to a termination circuit (4). Three damping circuits (8) are connected between the return conductor (10) and the reference conductor (7). The transmitting circuits (5) receive at their inputs the signals from the 4 channels of the two sources (2), and are connected to the conductors of the interconnection (1). A transmitting circuit (5) in the activated state produces modal electrical variables, each modal electrical variable being allocated to one and only one channel. The receiving circuits (6) are connected to the conductors of the interconnection (1), each receiving circuit (6) being such that the 4 channels of a source (2) connected to a transmitting circuit (5) in the activated state are sent to the four channels of the destinations (3), without noticeable echo, internal crosstalk and external crosstalk.

WO 2010/015947 A1

Method for pseudo-differential transmission using modal electrical variables.

## FIELD OF THE INVENTION

5 The invention relates to a method and a device for pseudo-differential transmission through interconnections used for sending a plurality of electrical signals, such as the interconnections made with multiconductor cables, or with the traces of a printed circuit board, or inside an integrated circuit.

The French patent application number 08/04429 of 4 August 2008, entitled “Procédé  
10 de transmission pseudo-différentiel utilisant des variables électriques modales” is incorporated by reference.

## PRIOR ART

Let us consider the problem of transmission through an interconnection, for obtaining  $m$  transmission channels,  $m$  being an integer greater than or equal to 2. Each transmission  
15 channel may be used for transmitting signals of any type, for instance analog signals or digital signals, from a source to a destination. We consider here that a digital signal is a signal whose value is defined only at discrete points in time, the set of the values that the signal may take on being discrete. We consider also that each value of a digital signal corresponds to a voltage or current interval. This definition of a digital signal as a “digital signal defined by voltage or  
20 current intervals” includes:

- the binary signals used in binary signaling, that is to say any signal such that, in each transmission channel, the set of the values that this signal may take on has 2 elements;
- the  $N$ -ary signals ( $N$  being an integer greater than or equal to 3) used in multilevel signaling, that is to say any signal such that, in each transmission channel, the set of the values that this  
25 signal may take on has  $N$  elements.

Binary signals are the signals which are the most frequently used today by digital integrated circuits. Multilevel signals, for instance quaternary signals (sometimes referred to as PAM-4 or 4-PAM), are used to obtain high bit rates. We will consider that any signal which does not comply with this definition of a digital signal is an analog signal. Thus, the result of  
30 any type of modulation of a carrier by a digital signal will be regarded as an analog signal.

Said transmission may be obtained through an interconnection comprising  $m + 1$  conductors, among which  $m$  transmission conductors. A device for transmission in such an interconnection is shown in Fig. 1, this device comprising an interconnection (1) having  $m =$   
4 transmission conductors (11) (12) (13) (14) and a reference conductor (7), that is to say a  
35 ground conductor. In Fig. 1, each end of the interconnection is connected to a termination

circuit (4). The transmitting circuit (5) receives at its input the signals of the 4 channels of the source (2), and its 5 output terminals are connected to the conductors of the interconnection (1), one of these conductors being ground. The receiving circuit (6) has its 5 input terminals connected to the conductors of the interconnection (1), one of these conductors being ground.

5 The device shown in Fig. 1 provides 4 transmission channels, such that the signals of the 4 channels of the source (2) are sent to the 4 channels of the destination (3). The device shown in Fig. 1 is somewhat general. For instance, according to the case, one and/or the other termination could comprise no component. For instance, according to the case, the transmitting circuit (5) and/or the receiving circuit (6) could comprise no component. However, devices

10 differing from the one shown in Fig. 1 are also conceivable, for instance devices for transmission comprising several sources and/or several destinations, based on a data bus architecture.

The simplest transmission method for obtaining  $m$  transmission channels uses  $m$  single-ended links. Using  $m$  single-ended links, each transmission channel uses one transmission

15 conductor of the interconnection, and the reference conductor (ground) is used for the return current produced by the currents flowing on the  $m$  transmission conductors. This scheme may be implemented according to Fig. 1. This method is subject to two detrimental phenomena: echo and crosstalk.

The prior art concerning transmission without echo and without crosstalk, applicable

20 to this patent application, is set out in the 3 following patents:

- the French patent number 0300064 of 6 January 2003 entitled "Procédé et dispositif pour la transmission avec une faible diaphonie", corresponding to the international application number PCT/EP2003/015036 of 24 December 2003 (WO 2004/062129), entitled "Method and device for transmission with reduced crosstalk";
- 25 - the French patent number 0302814 of 6 March 2003 entitled "Procédé et dispositif numériques pour la transmission avec une faible diaphonie", corresponding to the international application number PCT/EP2004/002382 of 18 February 2004 (WO 2004/079941), entitled "Digital method and device for transmission with reduced crosstalk";
- the French patent number 0303087 of 13 March 2003 entitled "Procédé et dispositif pour la
- 30 transmission sans diaphonie", corresponding to the international application number PCT/EP2004/002383 of 18 February 2004 (WO 2004/082168), entitled "Method and device for transmission without crosstalk".

The inventions described in these three patents may be implemented according to Fig. 1. The article of F. Broydé and E. Clavelier entitled "A New Method for the Reduction of

35 Crosstalk and Echo in Multiconductor Interconnections", published in the journal *IEEE Transactions on Circuits and Systems I*, vol. 52, No. 2, pages 405 to 416, in February 2005, corrected and supplemented by the article of F. Broydé and E. Clavelier entitled "Corrections

to «A New Method for the Reduction of Crosstalk and Echo in Multiconductor Interconnections», published in the journal *IEEE Transactions on Circuits and Systems I*, vol. 53, No. 8, p. 1851 in August 2006, proves that the inventions described in said French patents number 0300064, number 0302814 and number 0303087 and the corresponding international applications are indeed suitable for removing crosstalk between the different transmission channels obtained with said interconnection, and also for removing echo.

However, there are other crosstalk phenomena which may produce noise. Such phenomena are produced by some electromagnetic couplings between some conductors of said interconnection and other nearby conductors, for instance when said interconnection and these other conductors are built on the same printed circuit board. Such an “other nearby conductor” may for instance be a power supply conductor, a conductor of a link for digital signals, etc. We shall refer to these phenomena as “external crosstalk”, for distinguishing them from crosstalk between said transmission channels, which shall be referred to as “internal crosstalk”.

As explained in the prior art section of the French patent application number 07/05260 of 20 July 2007 entitled “Procédé et dispositif pour les transmissions pseudo-différentielles”, corresponding to the international application number PCT/IB2008/052102 of 29 May 2008 (WO 2009/013644), entitled “Method and device for pseudo-differential transmission”, a transmission scheme using the reference conductor, which is often called the ground conductor, as a return path for the return current produced by the currents flowing in the transmission conductors, often suffers from a strong coupling between said transmission channels and some loops including a path in the reference conductor. This particular case of external crosstalk is sometimes called “ground noise” or “ground bounce”.

If the interconnection is used for building  $m$  single-ended links, the reference conductor (ground) is used for the return current produced by the currents flowing on the  $m$  transmission conductors, as in the case shown in Fig. 1. This scheme is consequently vulnerable to external crosstalk (it is also subject to internal crosstalk). If the single-ended links are used for sending signals which contain frequencies for which propagation phenomena in the interconnection are not negligible (for instance frequencies higher than the lowest propagation velocity in the interconnection divided by typically 15 times the length of the interconnection), it becomes necessary to use at least one termination circuit (4), as shown in Fig. 1, to reduce reflections. Such a termination circuit (4) may for instance correspond to the schematic diagram shown in Fig. 2, in the case of  $m = 4$  single-ended links. The termination circuit (4) shown in Fig. 2 comprises  $m$  signal terminals (101), a reference terminal (ground) and  $m$  resistors (401) (402) (403) (404), each of said resistors being connected between ground and one and only one of said signal terminals (101). Each signal terminal (101) is intended to be connected to a transmission conductor of the interconnection, and the termination circuit (4) shown in Fig. 2 is characterized, for the interconnection, by an impedance matrix with respect to ground, said

impedance matrix with respect to ground being a diagonal matrix of size  $m \times m$ .

Let us note that the ground symbol used in Fig. 2 (and also in Fig. 3) has exactly the same meaning as the other ground symbol used in some of the other accompanying drawings (Figures 1, 6 to 8 and 11 to 15).

5 Section III of said paper entitled "A New Method for the Reduction of Crosstalk and Echo in Multiconductor Interconnections" explains that a termination circuit (4) such as the one shown in Fig. 2 cannot be matched, unless the transmission conductors are far apart and are hence uncoupled. It also explains that the detrimental effects of reflections may be minimized, if the values of the resistors (401) (402) (403) (404) shown in Fig. 2 are pseudo-  
10 matched impedances minimizing a matrix norm of the matrix  $\mathbf{P}_G$  of the voltage reflection coefficients, with respect to the reference conductor, of the termination circuit (4). This provides a reduction of echo and, to a limited extent, a reduction of internal crosstalk. Unfortunately, the termination circuit (4) shown in Fig. 2 produces return currents flowing mainly in the reference conductor, a characteristic which conflicts with the reduction of  
15 external crosstalk.

If the interconnection is used according to one of the inventions described in said French patents number 0300064, number 0302814 and number 0303087 and the corresponding international applications, the reference conductor (ground) is also used for the return current produced by the currents flowing on the  $m$  transmission conductors, as shown in Fig. 1. These  
20 inventions, which are suitable for reducing or eliminating internal crosstalk, are therefore prone to external crosstalk. A termination circuit (4) used in these inventions must be matched to the  $(m + 1)$ -conductor multiconductor transmission line used to model the interconnection. That is to say: the impedance matrix, with respect to ground, of the termination circuit must approximate the characteristic impedance matrix  $\mathbf{Z}_{GC}$ , with respect to ground, of said  $(m + 1)$ -  
25 conductor multiconductor transmission line ( $\mathbf{Z}_{GC}$  is a matrix of size  $m \times m$ ). Such a termination circuit (4) may for instance correspond to the schematic diagram shown in Fig. 3. The termination circuit (4) shown in Fig. 3 comprises  $m$  signal terminals (101), a reference terminal (ground),  $m$  grounded resistors (401) (402) (403) (404) used as in Fig. 2 and non-grounded resistors (4012) (4013) (4014) (4023) (4024) (4034), each of the non-grounded resistors being  
30 connected between two signal terminals. Each signal terminal (101) is intended to be connected to a transmission conductor of the interconnection. The termination circuit (4) shown in Fig. 3 is characterized, for the interconnection, by an impedance matrix with respect to ground, said impedance matrix with respect to ground being a non-diagonal matrix of size  $m \times m$ . The grounded resistors and the non-grounded resistors are proportioned such that the  
35 impedance matrix with respect to ground of the termination circuit (4) approximates said characteristic impedance matrix with respect to ground. Said paper entitled "A New Method for the Reduction of Crosstalk and Echo in Multiconductor Interconnections" shows that such

a termination can be used to obtain a cancellation of echo and internal crosstalk. Unfortunately, the termination circuit (4) shown in Fig. 3 produces return currents flowing mainly in the reference conductor, a characteristic which conflicts with the reduction of external crosstalk.

In the case where the destination (3), the termination circuit (4) and the receiving circuit (6) shown in Fig. 1 are built inside an integrated circuit and where the interconnection (1) is built in a printed circuit board to which said integrated circuit is soldered, the French patent number 08/03876 of 8 July 2008 entitled "Dispositif d'interface multicanal avec circuit de terminaison", corresponding to the international application number PCT/IB2009/051182 of 20 March 2009, entitled "Multichannel interfacing device having a termination circuit", describes the use of the termination circuit shown in Fig. 4. The termination circuit (4) shown in Fig. 4 comprises  $m$  signal terminals (101), a common terminal (100),  $m$  resistors (405) (406) (407) (408) each connected between the common terminal (100) and one and only one of said signal terminals (101), and resistors (4012) (4013) (4014) (4023) (4024) (4034) each connected between two signal terminals as in Fig. 3. The common terminal nodes of the receiving circuit (6) and the termination circuit (4) are not grounded inside said integrated circuit. The signal terminals (101) of the termination circuit (4) are intended to be connected to the transmission conductors (11) (12) (13) (14) of the interconnection (1) and the common terminal (100) of the termination circuit (4) is intended to be connected to said reference conductor (7) of the interconnection (1). The termination circuit (4) shown in Fig. 4 may replace a termination circuit used in one of the devices described in said French patents number 0300064, number 0302814 and number 0303087 and the corresponding international applications, this termination circuit providing a reduction of the external crosstalk caused by the variable power supply currents flowing in the power supply pins of the integrated circuit which are connected to the reference conductor. Unfortunately, this use of the termination circuit (4) shown in Fig. 4 provides no reduction of the external crosstalk caused by other mechanisms, for instance the external crosstalk caused by coupling with other interconnections or integrated circuits.

However, there are transmission methods intended to provide a good protection against all causes of external crosstalk: differential links (see for instance the book of H. W. Johnson and M. Graham entitled *High-speed digital design: a handbook of black magic*, published by Prentice Hall PTR in 1993), and pseudo-differential links (see for instance the section II of the paper of A. Carusone, K. Farzan and D.A. Johns entitled "Differential signaling with a reduced number of signal paths" published in *IEEE Transactions on Circuits and Systems II*, vol. 48, No. 3, pp. 294-300 in March 2001 and the section 4.2.3 of the book of F. Yuan entitled *CMOS current-mode circuits for data communications*, published by Springer in 2007).

A differential device for transmission providing  $m$  transmission channels uses an interconnection having  $n = 2m$  transmission conductors. A pseudo-differential device for transmission providing  $m$  transmission channels uses an interconnection having  $n = m$

transmission conductors and a common conductor distinct from the reference conductor (ground). The common conductor is referred to as “return conductor” in the case of the pseudo-differential transmission scheme disclosed in said French patent application number 07/05260 and the corresponding international application.

5 It should be noted that the wording “pseudo-differential” is also applied to devices which are not related in any way to pseudo-differential transmission. For instance, the patent application of the United States of America number US 2006/0267633 entitled “Pseudo-differential output driver with high immunity to noise and jitter” relates to a device having one differential input channel and one single-ended output channel: this device is not related to  
10 pseudo-differential transmission in any way. For instance, the patent number 5,638,322 of the United States of America entitled “Apparatus and method for improving common mode noise rejection in pseudo-differential sense amplifiers” relates to sense amplifiers which to some extent look like conventional differential amplifiers: this invention is not related to pseudo-differential transmission in any way.

15 We note that the invention described in said French patent number 08/03876 and the corresponding international application is not compatible with any known pseudo-differential transmission scheme, since there is no known pseudo-differential transmission scheme which can use a termination circuit approximately equivalent to a  $(m + 1)$ -terminal network such that the impedance matrix with respect to said common terminal of said  $(m + 1)$ -terminal network  
20 is equal to a wanted non-diagonal matrix of size  $m \times m$ .

A pseudo-differential device for transmission providing  $m = 4$  transmission channels is shown in Fig. 6, this device comprising an interconnection (1) having  $n = 4$  transmission conductors (11) (12) (13) (14) plus a common conductor (10) distinct from the reference conductor (7).

25 In Fig. 6, the transmitting circuit (5) receives at its input the signals of the 4 channels of the source (2), and its 5 output terminals are connected to the  $n + 1 = 5$  conductors of the interconnection (1), one of these conductors being the common conductor (10). The receiving circuit (6) has its 5 input terminals connected to the  $n + 1$  conductors of the interconnection (1), one of these conductors being the common conductor (10). The receiving circuit (6)  
30 produces voltages at its output terminals connected to the destination (3), each of these voltages being determined by one and only one of the voltages between one of the transmission conductors and the common conductor. The device shown in Fig. 6 provides 4 transmission channels, such that the signals of the 4 channels of the source (2) are sent to the 4 channels of the destination (3).

35 In Fig. 6, there is no termination circuit, as is the case in the patent of the United States of America number 5,818,261 entitled “Pseudo-differential bus driver/receiver for field programmable devices”, in the patent of the United States of America number 5,994,925

entitled "Pseudo-differential logic receiver" and in the patent of the United States of America number 7,099,395 entitled "Reducing coupled noise in pseudo-differential signaling". Consequently, in the case of Fig. 6, substantial reflections of signals occur, and the specialists know that this implies limitations on the length  $L$  of the interconnection ( $L$  must be sufficiently small) and on the available bandwidth.

In Fig. 6, since no termination is present, there is no constraint on the manner of routing the interconnection (1) with respect to ground (7). Consequently, in Fig. 6, the reference conductor (7) is represented as an irregular geometrical shape, such that the distance between the conductors of the interconnection (1) and the reference conductor (7) varies as a function of the abscissa  $z$  along the interconnection. This implies that it is *a priori* not possible to model propagation in the interconnection using a uniform multiconductor transmission line (a uniform multiconductor transmission line being a multiconductor transmission line having uniform electrical characteristics over its length) having  $n + 2 = 6$  conductors.

Another pseudo-differential device for transmission providing  $m = 4$  transmission channels is shown in Fig. 7, this device comprising:

- an interconnection (1) having  $n = 4$  transmission conductors (11) (12) (13) (14) plus a common conductor (10) distinct from the reference conductor (7);
- a transmitting circuit (5) receiving at its input the signals of the 4 channels of the source (2);
- a receiving circuit (6) having its output connected to the destination (3);
- a termination (4), as in the patent of the United States of America number 6,195,395 entitled "Multi-agent pseudo-differential signaling scheme".

In Fig. 7, the termination (4) is made of  $n = 4$  resistors (401) (402) (403) (404) each connected between a transmission conductor and ground and of a resistor (410) connected between the common conductor (10) and the reference conductor (7). In some cases, said resistor (410) connected between the common conductor (10) and the reference conductor (7) might not be present. In Fig. 7, instead of being connected to ground, the resistors of the termination (4) could be connected to a node intended to present a fixed voltage with respect to ground, for instance a power supply voltage. This technique is for instance used in the pseudo-differential signaling scheme using integrated circuits of the Gunning Transceiver Logic (GTL) family, which is well known to specialists. Each resistor connected to a conductor of the interconnection (1) could also be replaced with another known type of termination (see for instance the chapter 6 of the above-mentioned book of H. W. Johnson and M. Graham), for instance a split termination (also referred to as "Thevenin termination") comprising 2 resistors, the first resistor being inserted between this conductor of the interconnection and ground, the second resistor being inserted between this conductor of the interconnection and a node presenting a fixed voltage with respect to ground.

In Fig. 7, since a grounded termination (4) is used to avoid the reflection of signals



propagating along the interconnection (1), it is clear for the specialist that the interconnection must be designed in such a way that it is possible to model the propagation in the interconnection using a multiconductor transmission line having  $n + 2 = 6$  conductors, the multiconductor transmission line having uniform electrical characteristics over its length, the multiconductor transmission line using as variables the  $n + 1$  natural voltages (which are defined with respect to the reference conductor) and the  $n + 1$  natural currents flowing on the transmission conductors and on the common conductor. This result is typically obtained with a geometry of the interconnection (1) and the reference conductor (7) such that the cross section of the interconnection (1) and the reference conductor (7), in a plane orthogonal to the direction of propagation, does not vary over the greatest part of the length of the interconnection, in the vicinity of the transmission conductors. In order to indicate this requirement, the reference conductor (7) is, in Fig. 7, represented as a uniform geometrical shape, such that the distance between the conductors of the interconnection (1) and the reference conductor (7) does not vary as a function of the abscissa  $z$  along the interconnection.

In Fig. 7, the use of a termination (4) made of resistors connected to ground for avoiding the reflection of signals propagating along the interconnection (1) also implies that this termination should provide an impedance matrix not too different from the characteristic impedance matrix of said multiconductor transmission line having  $n + 2$  conductors. The specialists understand that this may happen only if the characteristic impedance matrix of said multiconductor transmission line having  $n + 2$  conductors is such that the absolute value of each of the diagonal components is much larger than the absolute value of each of the non-diagonal components, in a suitable frequency band. This implies that the transmission conductors are in a way closer to the reference conductor (7) than to the common conductor (10).

Said French patent application number 07/05260 and the corresponding international application provide an analysis of the scheme shown in Fig. 7. They show that, in the scheme shown in Fig. 7, there is a discrepancy between an effective protection against external crosstalk which implies that the transmission conductors are in a way closer to the common conductor than to the reference conductor, and an effective reduction of reflections which implies that the transmission conductors are in a way closer to the reference conductor than to the common conductor.

Said French patent application number 07/05260 and the corresponding international application also describe a method for pseudo-differential transmission providing  $m$  transmission channels, where  $m$  is an integer greater than or equal to 2, through an interconnection having  $n$  transmission conductors and a return conductor distinct from the reference conductor,  $n$  being an integer greater than or equal to  $m$ , the interconnection being structurally combined with the reference conductor throughout the length of the

interconnection. A device implementing this method is shown in Fig. 8, this device providing  $m = 4$  transmission channels comprising an interconnection (1) having  $n = 4$  transmission conductors (11) (12) (13) (14) and a return conductor (10) distinct from the reference conductor (7). In Fig. 8, the transmitting circuit (5) receives at its input the signals of the  $m = 4$  channels of the source (2), and its 5 output terminals are connected to the conductors of the interconnection (1). The receiving circuit (6) has its 5 input terminals connected to the conductors of the interconnection (1) and it delivers 4 “output signals of the receiving circuit” to the destination (3). The interconnection used in Fig. 8 is such that, in a given frequency band, taking into account the lumped impedances seen by the interconnection and caused by the circuits connected to the interconnection elsewhere than at the ends of the interconnection, it can be modeled as a  $(n + 1)$ -conductor multiconductor transmission line, said multiconductor transmission line having uniform electrical characteristics over its length, said multiconductor transmission line using the natural voltages referenced to the return conductor and the natural currents as natural electrical variables. Consequently, it is possible to compute, for said multiconductor transmission line and said given frequency band, the characteristic impedance matrix with respect to the return conductor, denoted by  $\mathbf{Z}_{RC}$ . The matrix  $\mathbf{Z}_{RC}$  is a matrix of size  $n \times n$ .

As pointed out in said French patent application number 07/05260 and the corresponding international application, the characteristic “in said given frequency band, said interconnection may be modeled with a sufficient accuracy as a  $(n + 1)$ -conductor multiconductor transmission line using the natural voltages referenced to the return conductor and the natural currents as natural electrical variables” is a remarkable property which may be obtained using suitable structures in which the transmission conductors are in a way closer to the return conductor than to the reference conductor. As an example, the Fig. 9 shows a section of the interconnection (1) and of the reference conductor (7) in a plane orthogonal to the direction of propagation for a first suitable structure built in a printed circuit board, which may be referred to as the coplanar-strips-over-return-conductor structure. In the structure shown in Fig. 9, the return conductor (10) is a copper area and the transmission conductors (11) (12) (13) (14) are traces which are clearly closer to the return conductor (10) than to the reference conductor (7). As an example, the Fig.10 shows a section of the interconnection (1) and of the reference conductor (7) in a plane orthogonal to the direction of propagation for a second suitable structure built in a printed circuit board, which may be referred to as the coplanar-strips-inside-return-conductor structure. In the structure shown in Fig. 10, the return conductor (10) is made of two interconnected copper areas (1001) (1002), and the transmission conductors (11) (12) (13) (14) are traces which are clearly closer to the return conductor (10) than to the reference conductor (7).

Each of the termination circuits (4) used in Fig. 8 is connected to the conductors of the

interconnection (1), that is to say to the transmission conductors (11) (12) (13) (14) and the return conductor (10). According to the invention described in said French patent application number 07/05260 and the corresponding international application, the impedance matrix of any one of the termination circuits (4) with respect to the return conductor is, in a part of the frequency band used for transmission, approximately equal to a diagonal matrix of size  $n \times n$ , denoted by  $\mathbf{Z}_{RL}$ . The matrices  $\mathbf{Z}_{RC}$  and  $\mathbf{Z}_{RL}$  may be used to compute the matrix of the voltage reflection coefficients of said any one of the termination circuits (4) with respect to the return conductor, denoted by  $\mathbf{P}_R$ . The matrix  $\mathbf{P}_R$  is a matrix of size  $n \times n$ . Each of the termination circuits (4) may be proportioned such that each component of  $\mathbf{P}_R$  has an absolute value less than or equal to 1/10.

At this point, it is important to note that, in a case where the theory presented in Section III of said article entitled "A New Method for the Reduction of Crosstalk and Echo in Multiconductor Interconnections" can be applied to an interconnection having  $n$  transmission conductors and a return conductor distinct from the reference conductor, a  $(n + 2)$ -conductor multiconductor transmission line is used for modeling the interconnection with the reference conductor. Thus, a characteristic impedance matrix with respect to the reference conductor, denoted by  $\mathbf{Z}_{GC}$ , of size  $(n + 1) \times (n + 1)$ , is obtained. The termination circuits considered in this theory are connected to ground, and these termination circuits have an impedance matrix with respect to the reference conductor, this matrix being of size  $(n + 1) \times (n + 1)$  for an interconnection having  $n$  transmission conductors and a return conductor distinct from the reference conductor. Consequently, the multiconductor transmission lines and the termination circuits considered in said article entitled "A New Method for the Reduction of Crosstalk and Echo in Multiconductor Interconnections", in said French patents number 0300064, number 0302814 and number 0303087 and the corresponding international applications are quite different from the multiconductor transmission lines and the termination circuits considered in said French patent application number 07/05260 and the corresponding international application.

The fact that, in Fig. 8,  $\mathbf{Z}_{RL}$  is a matrix of size  $n \times n$  indicates that, in said given frequency band, each of the termination circuits (4) approximately behaves as if it was not connected to ground, hence as a floating  $(n + 1)$ -terminal circuit element. The specialist understands that, consequently, in an ideal implementation, each of the termination circuits (4) does not have an impedance matrix with respect to the reference conductor (7). Additionally, the fact that  $\mathbf{Z}_{RL}$  is a diagonal matrix implies that each of the termination circuits (4) may consist of  $n$  passive linear two-terminal circuit elements, each of said passive linear two-terminal circuit elements being connected between the return conductor (10) and one and only one of said transmission conductors (11) (12) (13) (14).

The French patent application number 07/04421 of 21 June 2007, entitled "Dispositif

d'interface pseudo-différentiel avec circuit de terminaison”, corresponding to the international application number PCT/IB2008/051826 of 8 May 2008 (WO 2008/155676), entitled “Pseudo-differential interfacing device having a termination circuit”, describes termination circuits such as the one used in Fig. 8, which do not produce return currents flowing mainly in the reference conductor or in a power supply conductor. For instance, a termination circuit (4) suitable for the method shown in Fig. 8, shown in Fig. 5, comprises  $n = 4$  signal terminals (101), a common terminal (100) and  $n$  resistors (405) (406) (407) (408), each of said resistors being connected between the common terminal (100) and one and only one of said signal terminals (101). Each signal terminal (101) is intended to be connected to a transmission conductor (11) (12) (13) (14) of the interconnection, and the common terminal (100) is intended to be connected to the return conductor (10) of the interconnection. The termination circuit (4) shown in Fig. 5 is characterized, for the interconnection, by an impedance matrix with respect to the return conductor, said impedance matrix with respect to the return conductor being a diagonal matrix of size  $n \times n$ .

The method of said French patent application number 07/05260 and the corresponding international application is very effective for the suppression of all causes of external crosstalk. However, this method does not reduce internal crosstalk. For instance, the article of F. Broydé and E. Clavelier entitled “A new pseudo-differential transmission scheme for on-chip and on-board interconnections” published in the proceedings of the “14<sup>ème</sup> colloque international sur la compatibilité électromagnétique - CEM 08”, which took place in Paris, France, in May 2008, shows that this method does not provide a reduction of internal crosstalk.

## DESCRIPTION OF THE INVENTION

The purpose of the method of the invention is the transmission through an interconnection having two or more transmission conductors, the transmission being protected against echo, internal crosstalk and all causes of external crosstalk.

The invention is about a method for transmitting through an interconnection having  $n$  transmission conductors and a return conductor distinct from a reference conductor (ground),  $n$  being an integer greater than or equal to 2, said method providing, in a known frequency band,  $m$  transmission channels each corresponding to a signal to be sent from the input of at least one transmitting circuit to the output of at least one receiving circuit, where  $m$  is an integer greater than or equal to 2 and less than or equal to  $n$ , said method comprising the steps of:

numbering said transmission conductors from 1 to  $n$  and defining, for any integer  $j$  greater than or equal to 1 and less than or equal to  $n$ , at any given abscissa along said interconnection, a “natural current” of index  $j$  as the current flowing on the

transmission conductor number  $j$ , and a “natural voltage referenced to the return conductor” of index  $j$  as the voltage between the transmission conductor number  $j$  and said return conductor;

5 modeling the interconnection, in a part of said known frequency band, taking into account the lumped impedances seen by the interconnection and caused by the circuits connected to the interconnection elsewhere than at the ends of the interconnection, as a  $(n + 1)$ -conductor multiconductor transmission line, said multiconductor transmission line having uniform electrical characteristics over its length, said multiconductor transmission line using said natural voltages referenced to the return conductor and  
10 said natural currents as natural electrical variables;

determining, for said multiconductor transmission line and said known frequency band, a transition matrix from modal electrical variables to natural electrical variables, said transition matrix from modal electrical variables to natural electrical variables being non-diagonal in said part of said known frequency band;

15 determining, for said multiconductor transmission line and said part of said known frequency band, the characteristic impedance matrix with respect to the return conductor (denoted by  $Z_{RC}$ );

coupling the terminals of at least one termination circuit to said return conductor and to each of said transmission conductors, said at least one termination circuit being, in said part  
20 of said known frequency band, approximately characterized, for said interconnection, by an impedance matrix with respect to the return conductor, said impedance matrix with respect to the return conductor being a non-diagonal matrix of size  $n \times n$  approximately equal to said characteristic impedance matrix with respect to the return conductor;

25 using one said transmitting circuit receiving  $m$  “input signals of the transmitting circuit” corresponding each to a transmission channel, the output of said transmitting circuit being coupled to the  $n$  transmission conductors, the output of said transmitting circuit delivering modal electrical variables defined by said transition matrix from modal electrical variables to natural electrical variables, each of said modal electrical  
30 variables being mainly determined by one and only one of said “input signals of the transmitting circuit”; and

using one said receiving circuit delivering  $m$  “output signals of the receiving circuit” corresponding each to a transmission channel, the input of said receiving circuit being coupled to the  $n$  transmission conductors and to said return conductor, said receiving  
35 circuit combining the natural voltages referenced to the return conductor according to linear combinations, each of said “output signals of the receiving circuit” being mainly determined by one and only one of said modal electrical variables defined by said

transition matrix from modal electrical variables to natural electrical variables.

Said part of said known frequency band can be any subset of said known frequency band. It is important to clearly distinguish the interconnection, a physical device composed of conductors and insulators, from the model which describes some of its properties, which is  
5 here the model of the multiconductor transmission line having uniform electrical characteristics over its length. This model is not capable of describing all interconnections, but it must be suitable for modeling said interconnection, in said part of said known frequency band, with a sufficient accuracy.

According to the invention, said interconnection may be structurally combined with the  
10 reference conductor throughout the length of the interconnection. Consequently, if said interconnection is made with a printed circuit board, the reference conductor may be a conductor of the printed circuit board, this conductor being not a part of said interconnection. Consequently, if said interconnection is made with a cable, the reference conductor may be a conductor of the cable (the cable therefore comprises at least  $n + 2$  conductors in this case),  
15 but the reference conductor is nevertheless not a part of said interconnection.

In particular, said interconnection may be realized without using a cable, for instance an interconnection formed in or on a rigid or flexible printed circuit board (using traces and/or copper areas), or an interconnection formed in or on the substrate of a multi-chip module (MCM) or of an hybrid circuit, or an interconnection formed inside a monolithic integrated  
20 circuit.

According to the invention, the return conductor is distinct from the reference conductor. It is therefore important to clarify the concept of distinct conductors, in the framework of the theory of multiconductor transmission lines. In the framework of this theory, a conductor may be made of several sufficiently interconnected conductors. This is for instance  
25 the case with the stripline structure well known to the person skilled in the art, in which the reference conductor is made of two ground planes connected the one to the other at many points. By the same token, it is appropriate to treat as a single reference conductor a plurality of conductors between which a low impedance is maintained in said part of said known frequency band, at a sufficient number of points along the direction of propagation. As an  
30 example, in a multilayer printed circuit board, the traces of an internal layer, used as transmission conductors, may be routed between a conducting plane used as ground (ground plane) and a conducting plane connected to a power supply voltage (power plane). The person skilled in the art knows that, if a low impedance is maintained between these conducting planes by a sufficient number of decoupling capacitors connected between these conducting planes  
35 and spread over along said traces of an internal layer, then the two conducting planes, though at different potentials, indeed behave as a single reference conductor for the propagation of signals at sufficiently high frequencies. The wording "reference conductor" may therefore

designate several conductors connected the one to the other at a sufficient number of points along the direction of propagation, through sufficiently low impedances in said part of said known frequency band. The wording “return conductor” may also designate several conductors connected the one to the other at a sufficient number of points along the direction of propagation, through impedances sufficiently low in said part of said known frequency band.

For any integer  $j$  greater than or equal to 1 and less than or equal to  $n$ , at a given abscissa  $z$  along said interconnection, let us use  $i_j$  to denote the natural current of index  $j$ , that is to say the current flowing on the transmission conductor number  $j$ , and let us use  $v_{Rj}$  to denote the natural voltage referenced to the return conductor of index  $j$ , that is to say the voltage between the transmission conductor number  $j$  and said return conductor. We may define the column-vector  $\mathbf{I}_R$  of the natural currents  $i_1, \dots, i_n$  and the column-vector  $\mathbf{V}_R$  of the natural voltages referenced to the return conductor  $v_{R1}, \dots, v_{Rn}$ .

According to the invention, the interconnection is modeled as a  $(n + 1)$ -conductor multiconductor transmission line using said natural voltages referenced to the return conductor and said natural currents as natural electrical variables, with a sufficient accuracy in said part of said known frequency band, taking into account the lumped impedances seen by the interconnection and caused by the circuits connected to the interconnection elsewhere than at the ends of the interconnection. As pointed out above in the prior art section, this is a remarkable property of the method of the invention. It is clear for the specialist that this property implies that all conductors other than the conductors of the interconnection may be neglected when one models propagation in the interconnection and that, in particular, the reference conductor may be neglected when one models propagation in the interconnection.

Said  $(n + 1)$ -conductor multiconductor transmission line may nevertheless be defined in said known frequency band. It is consequently possible to define, at each abscissa  $z$  along the interconnection, at any frequency  $f$  in said known frequency band, a per-unit-length impedance matrix  $\mathbf{Z}_R$  and a per-unit-length admittance matrix  $\mathbf{Y}_R$ , and the applicable telegrapher's equations are:

$$\begin{cases} \frac{d\mathbf{V}_R}{dz} = -\mathbf{Z}_R \mathbf{I}_R \\ \frac{d\mathbf{I}_R}{dz} = -\mathbf{Y}_R \mathbf{V}_R \end{cases} \quad (1)$$

The  $(n + 1)$ -conductor multiconductor transmission line defined by the equation (1) uses said natural voltages referenced to the return conductor and said natural currents as variables. These variables are referred to as “natural electrical variables” in contrast to the “modal electrical variables” defined below.  $\mathbf{Z}_R$  and  $\mathbf{Y}_R$  are matrices of size  $n \times n$ .

According to the invention, said multiconductor transmission line has uniform electrical characteristics over its length, said multiconductor transmission line using said

natural voltages referenced to the return conductor and said natural currents as natural electrical variables. Consequently, the per-unit-length impedance matrix  $\mathbf{Z}_R$  and the per-unit-length admittance matrix  $\mathbf{Y}_R$  are independent from the abscissa  $z$ , and the equation (1) implies that the classical results concerning uniform multiconductor transmission lines may be transposed. In particular, the specialist understands that the transposition of said articles of F. Broydé and E. Clavelier published in 2005 and 2006 provides, in said known frequency band, the following definitions for the characteristic impedance matrix with respect to the return conductor and for the transition matrices from modal electrical variables to natural electrical variables.

The specialists understands that the equation (1) may be solved easily using a suitable diagonalization of the matrices  $\mathbf{Z}_R\mathbf{Y}_R$  and  $\mathbf{Y}_R\mathbf{Z}_R$ . The eigenvectors obtained in this manner define the propagation modes, and the eigenvalues correspond to the squared propagation constants. More precisely,  $\mathbf{Z}_R$  and  $\mathbf{Y}_R$  being symmetrical matrices,  $\mathbf{Z}_R\mathbf{Y}_R$  and  $\mathbf{Y}_R\mathbf{Z}_R$  have the same eigenvalues, and we shall use  $\mathbf{T}_R$  and  $\mathbf{S}_R$  to denote two regular matrices such that:

$$\begin{cases} \mathbf{T}_R^{-1}\mathbf{Y}_R\mathbf{Z}_R\mathbf{T}_R = \mathbf{D}_R \\ \mathbf{S}_R^{-1}\mathbf{Z}_R\mathbf{Y}_R\mathbf{S}_R = \mathbf{D}_R \end{cases} \quad (2)$$

where 
$$\mathbf{D}_R = \text{diag}_n(\gamma_1^2, \dots, \gamma_n^2) \quad (3)$$

is the diagonal matrix of order  $n$  of the eigenvalues of  $\mathbf{Y}_R\mathbf{Z}_R$ . These eigenvalues are the squares of the propagation constants  $\gamma_j$  for the different propagation modes of said  $(n + 1)$ -conductor multiconductor transmission line. Each of these propagation constants applies to a wave of a given TEM propagation mode, the wave propagating toward the far-end (that is to say in the direction of increasing  $z$ ). Let us use  ${}^t\mathbf{A}$  to denote the transpose of a matrix  $\mathbf{A}$ . The matrices  $\mathbf{Z}_R$  and  $\mathbf{Y}_R$  being symmetrical, we observe that if we determine, using a diagonalization of the matrix  $\mathbf{Y}_R\mathbf{Z}_R$ , a matrix  $\mathbf{T}_R$  satisfying the first line of the equation (2), then

$$\mathbf{S}_R = {}^t\mathbf{T}_R^{-1} \quad (4)$$

is a solution of the second line of the equation (2). This shows that if  $\mathbf{Y}_R\mathbf{Z}_R$  is diagonalizable (this has been shown, in the cases of interest, by many authors), then  $\mathbf{Y}_R\mathbf{Z}_R$  and  $\mathbf{Z}_R\mathbf{Y}_R$  are diagonalizable into the same matrix  $\mathbf{D}_R$ . The use of equation (4) is not in any way necessary for solving the equation (2), and other choices are possible. Thus, for instance, another possible choice for obtaining a solution  $\mathbf{S}_R$  for the second line of the equation (2) from a solution  $\mathbf{T}_R$  of its first line is

$$\mathbf{S}_R = j\omega c_K \mathbf{Y}_R^{-1}\mathbf{T}_R \quad (5)$$

where  $c_K$  is an arbitrary scalar different from zero, which may depend on the frequency, and which has the dimensions of a per-unit-length capacitance.

Any matrices  $\mathbf{T}_R$  and  $\mathbf{S}_R$  satisfying the equations (2) and (3) define a “modal transform”



for the natural currents and for the natural voltages referenced to the return conductor, and the results of this transform are called modal currents and modal voltages. If we use  $\mathbf{I}_{RM}$  to denote the column-vector of the  $n$  modal currents  $i_{RM1}, \dots, i_{RMn}$  and  $\mathbf{V}_{RM}$  to denote the column-vector of the  $n$  modal voltages  $v_{RM1}, \dots, v_{RMn}$ , we get:

$$\begin{cases} \mathbf{V}_R = \mathbf{S}_R \mathbf{V}_{RM} \\ \mathbf{I}_R = \mathbf{T}_R \mathbf{I}_{RM} \end{cases} \quad (6)$$

Consequently, we shall refer to  $\mathbf{S}_R$  as the “transition matrix from modal voltages to natural voltages”, and we shall refer to  $\mathbf{T}_R$  as the “transition matrix from modal currents to natural currents” (for comparison with said French patent application number 08/04429, it is useful to note that the transition matrix from the basis C to the basis B is called “matrice de passage de la base B à la base C” in French). The wording “modal electrical variable” will indiscriminately designate a modal current or a modal voltage. The matrices  $\mathbf{S}_R$  and  $\mathbf{T}_R$  are therefore the transition matrices from modal electrical variables to natural electrical variables.

The equation (2) means that the column-vectors of  $\mathbf{S}_R$  (respectively, of  $\mathbf{T}_R$ ) are linearly independent eigenvectors of  $\mathbf{Z}_R \mathbf{Y}_R$  (respectively, of  $\mathbf{Y}_R \mathbf{Z}_R$ ), and that, consequently,  $\mathbf{S}_R$  and  $\mathbf{T}_R$  are not defined in a unique manner by the equations (2) and (3) alone, because: first the order of the eigenvalues in the equation (3) is arbitrary, and second the choice of eigenvectors corresponding to a degenerate eigenvalue is arbitrary. The implementation of an additional condition such as equation (4) or equation (5) does not remove this indetermination. We note that, for any integer  $j$  between 1 and  $n$ , the  $j$ -th column-vector of  $\mathbf{S}_R$  corresponds to the same eigenvalue as the  $j$ -th column-vector of  $\mathbf{T}_R$ .

In order to indicate that a matrix  $\mathbf{S}_R$  and a matrix  $\mathbf{T}_R$  are defined by the equations (2), (3) and (5) we shall say that they are associated and that the eigenvectors contained in  $\mathbf{S}_R$  and  $\mathbf{T}_R$  (i.e. the column-vectors of  $\mathbf{S}_R$  and  $\mathbf{T}_R$ ) are associated. In this case, for a wave propagating in a given direction and for any integer  $\alpha$  such that  $1 \leq \alpha \leq n$ , it is possible to show that:

$$v_{RM\alpha} = \frac{\varepsilon}{j\omega c_K} \gamma_\alpha i_{RM\alpha} \quad (7)$$

where  $\varepsilon$  is equal to 1 if the wave propagates toward the far-end, or to  $-1$  if the wave propagates toward the near-end. This implies that the propagation of the modal voltage  $v_{RM\alpha}$  and of the modal current  $i_{RM\alpha}$  can be viewed as the propagation on a fictitious 2-conductor transmission line having the propagation constant  $\gamma_\alpha$  and the characteristic impedance  $\gamma_\alpha / j\omega c_K$ . As a result, we say that associated eigenvectors provide a *total decoupling* of the telegrapher’s equations, since it allows to define an equivalent circuit for the  $(n + 1)$ -conductor multiconductor transmission line, comprising  $n$  independent 2-conductor transmission lines.

As from the equations (1), (2) and (3), it is possible to define a characteristic impedance

matrix of said  $(n + 1)$ -conductor multiconductor transmission line, referred to as the characteristic impedance matrix with respect to the return conductor and denoted by  $\mathbf{Z}_{RC}$ , as:

$$\begin{aligned}\mathbf{Z}_{RC} &= \mathbf{S}_R \Gamma_R^{-1} \mathbf{S}_R^{-1} \mathbf{Z}_R = \mathbf{S}_R \Gamma_R \mathbf{S}_R^{-1} \mathbf{Y}_R^{-1} \\ &= \mathbf{Y}_R^{-1} \mathbf{T}_R \Gamma_R \mathbf{T}_R^{-1} = \mathbf{Z}_R \mathbf{T}_R \Gamma_R^{-1} \mathbf{T}_R^{-1}\end{aligned}\quad (8)$$

where

$$5 \quad \Gamma_R = \text{diag}_n(\gamma_1, \dots, \gamma_n) \quad (9)$$

is the diagonal matrix of size  $n \times n$  of the propagation constants  $\gamma_i$  of the different propagation modes of said  $(n + 1)$ -conductor multiconductor transmission line, each of said propagation constants having the dimensions of the inverse of a length.  $\mathbf{Z}_{RC}$  is a matrix of size  $n \times n$ .

Of course, the interconnection used in the method of the invention may possibly also  
10 be modeled as a  $(n + 2)$ -conductor multiconductor transmission line, said multiconductor transmission line using natural voltages referenced to ground and natural currents as variables. For such a model, the specialist understands that the interconnection and the reference conductor are taken into account, so that it is necessary to consider, at a given abscissa  $z$  along the interconnection:

- 15 a) for any integer  $j$  greater than or equal to 1 and less than or equal to  $n$ , the natural current of index  $j$ , denoted by  $i_j$ ;
- b) the current flowing on the return conductor, denoted by  $i_{n+1}$ ;
- c) for any integer  $j$  greater than or equal to 1 and less than or equal to  $n$ , the voltage between the transmission conductor number  $j$  and said reference conductor, denoted by  $v_{Gj}$ ;
- 20 d) the voltage between said return conductor and said reference conductor, denoted by  $v_{G n+1}$ .

We may then define the column-vector  $\mathbf{I}_G$  of the currents  $i_1, \dots, i_{n+1}$  and the column-vector  $\mathbf{V}_G$  of the natural voltages referenced to ground  $v_{G1}, \dots, v_{G n+1}$ . When it is possible to define, at each abscissa  $z$  along the interconnection, at any frequency  $f$  in said part of said known frequency band, a per-unit-length impedance matrix  $\mathbf{Z}_G$  and a per-unit-length  
25 admittance matrix  $\mathbf{Y}_G$ , the applicable telegrapher's equations are:

$$\begin{cases} \frac{d \mathbf{V}_G}{dz} = -\mathbf{Z}_G \mathbf{I}_G \\ \frac{d \mathbf{I}_G}{dz} = -\mathbf{Y}_G \mathbf{V}_G \end{cases} \quad (10)$$

In equation (10) the matrices  $\mathbf{Z}_G$  and  $\mathbf{Y}_G$  are of size  $(n + 1) \times (n + 1)$ . We have said above that, according to the invention, the interconnection may be modeled with a sufficient  
30 accuracy as a  $(n + 1)$ -conductor multiconductor transmission line. Consequently, the specialist understands that, in equation (10), we may say that, to a sufficient accuracy:

- the  $v_{Gj} - v_{G n+1}$  depend only on the  $i_1, \dots, i_n$ ;
- the relationships between the  $v_{Gj} - v_{G n+1}$  and the  $i_1, \dots, i_n$  are determined by the matrices  $\mathbf{Z}_R$

and  $\mathbf{Y}_R$ .

As shown in said article entitled “A new pseudo-differential transmission scheme for on-chip and on-board interconnections”, it is then possible to prove that there exist a per-unit-length impedance  $Z_{RG}$  and a per-unit-length admittance  $Y_{RG}$  such that the matrices  $\mathbf{Z}_G$  and  $\mathbf{Y}_G$  are, in said part of said known frequency band, approximately given by

$$\mathbf{Z}_G \approx \begin{pmatrix} Z_{R11} + Z_{RG} & \cdots & Z_{R1n} + Z_{RG} & Z_{RG} \\ \vdots & \ddots & \vdots & \vdots \\ Z_{Rn1} + Z_{RG} & \cdots & Z_{Rnn} + Z_{RG} & Z_{RG} \\ Z_{RG} & \cdots & Z_{RG} & Z_{RG} \end{pmatrix} \quad (11)$$

and

$$\mathbf{Y}_G \approx \begin{pmatrix} Y_{R11} & \cdots & Y_{R1n} & -\sum_{i=1}^n Y_{R1i} \\ \vdots & \ddots & \vdots & \vdots \\ Y_{Rn1} & \cdots & Y_{Rnn} & -\sum_{i=1}^n Y_{Rni} \\ -\sum_{i=1}^n Y_{Ri1} & \cdots & -\sum_{i=1}^n Y_{Rin} & Y_{RG} + \sum_{i=1}^n \sum_{j=1}^n Y_{Rij} \end{pmatrix} \quad (12)$$

Exact equations for the matrices  $\mathbf{Z}_G$  and  $\mathbf{Y}_G$  are provided in the article of F. Broyd  and E. Clavelier, entitled “Modeling the interconnection of a pseudo-differential link using a wide return conductor”, published in the proceedings of the 13th IEEE Workshop on Signal Propagation on Interconnects, SPI 2009, which was held in Strasbourg, France, in May 2009.

It is important to note that, since we do not assume that said  $(n + 2)$ -conductor multiconductor transmission line has uniform electrical characteristics over its length,  $Z_{RG}$  and  $Y_{RG}$  may vary with  $z$ . For the  $(n + 2)$ -conductor multiconductor transmission line defined by the equation (10), it is possible to define two invertible matrices of size  $(n + 1) \times (n + 1)$ , denoted by  $\mathbf{T}_G$  and  $\mathbf{S}_G$ , as:

$$\begin{cases} \mathbf{T}_G^{-1} \mathbf{Y}_G \mathbf{Z}_G \mathbf{T}_G = \mathbf{D}_G \\ \mathbf{S}_G^{-1} \mathbf{Z}_G \mathbf{Y}_G \mathbf{S}_G = \mathbf{D}_G \end{cases} \quad (13)$$

where  $\mathbf{D}_G$  is the diagonal matrix of order  $n + 1$  of the eigenvalues of  $\mathbf{Y}_G \mathbf{Z}_G$ . Thus,  $\mathbf{T}_G$  and  $\mathbf{S}_G$  are the transition matrices from modal electrical variables to natural electrical variables for the  $(n + 2)$ -conductor multiconductor transmission line used to model the interconnection with the reference conductor.  $\mathbf{T}_G$  and  $\mathbf{S}_G$  are consequently the transition matrices from modal electrical variables to natural electrical variables which are defined and used in said French patents number 0300064, number 0302814 and number 0303087, the corresponding international applications and said article entitled “A New Method for the Reduction of Crosstalk and Echo in Multiconductor Interconnections”.  $\mathbf{T}_G$  and  $\mathbf{S}_G$  are not the transition matrices from modal electrical variables to natural electrical variables considered for defining the invention. The

transition matrices from modal electrical variables to natural electrical variables used for defining the invention are  $\mathbf{T}_R$  and  $\mathbf{S}_R$ , that is to say the transition matrices from modal electrical variables to natural electrical variables for the  $(n + 1)$ -conductor multiconductor transmission line used to model the interconnection alone, without the reference conductor.

5 The matrices  $\mathbf{Z}_G$  and  $\mathbf{Y}_G$  may also be used to define a characteristic impedance matrix of the  $(n + 2)$ -conductor multiconductor transmission line, denoted by  $\mathbf{Z}_{GC}$ .  $\mathbf{Z}_{GC}$  is a matrix of size  $(n + 1) \times (n + 1)$  and is of course different from  $\mathbf{Z}_{RC}$ . For instance, said article entitled “A new pseudo-differential transmission scheme for on-chip and on-board interconnections” shows that, if the equations (11) and (12) are exact, we have:

$$10 \quad \mathbf{Z}_{GC} = \begin{pmatrix} \mathbf{Z}_{RC} + \sqrt{\frac{\mathbf{Z}_{RG}}{\mathbf{Y}_{RG}}} \begin{pmatrix} 1 \\ \vdots \\ 1 \end{pmatrix} (1 \quad \dots \quad 1) & \sqrt{\frac{\mathbf{Z}_{RG}}{\mathbf{Y}_{RG}}} \begin{pmatrix} 1 \\ \vdots \\ 1 \end{pmatrix} \\ \sqrt{\frac{\mathbf{Z}_{RG}}{\mathbf{Y}_{RG}}} (1 \quad \dots \quad 1) & \sqrt{\frac{\mathbf{Z}_{RG}}{\mathbf{Y}_{RG}}} \end{pmatrix} \quad (14)$$

According to the invention, said at least one termination circuit is, in said part of said known frequency band, approximately characterized, for said interconnection, by an impedance matrix with respect to the return conductor. Let us use  $\mathbf{Z}_{RA}$  to denote this impedance matrix with respect to the return conductor. According to the invention,  $\mathbf{Z}_{RA}$  is a matrix of size  
 15  $n \times n$ . This indicates that, in said part of said known frequency band, said at least one termination circuit approximately behaves as if it was not connected to ground, hence as a floating  $(n + 1)$ -terminal circuit element. The specialist understands that, consequently, in an ideal implementation, said at least one termination circuit may be such that it does not have an impedance matrix with respect to the reference conductor. According to the invention,  $\mathbf{Z}_{RA}$   
 20 is a non-diagonal square matrix approximately equal to  $\mathbf{Z}_{RC}$ . The specialist understands that this requirement implies that said at least one termination circuit has the following properties:  
 - it provides very low reflections for all signals propagating inside said  $(n + 1)$ -conductor multiconductor transmission line and incident on the termination circuit;  
 - it does not reduce the reflections for the noise propagating in the circuit formed by the  
 25 interconnection and the reference conductor.

The specialist understands that a termination circuit having, at a given frequency, an impedance matrix equal to  $\mathbf{Z}_{RC}$  may be composed of  $n(n + 1)/2$  passive linear two-terminal circuits elements,  $n$  of said passive linear two-terminal circuit elements being each connected between the return conductor and one and only one of said transmission conductors,  $n(n - 1)/2$   
 30 of said passive linear two-terminal circuit elements being each connected between two of said transmission conductors. However, the specialist also understands that a termination circuit providing, at a given frequency, an impedance matrix close enough to  $\mathbf{Z}_{RC}$  may often be

composed of less than  $n(n+1)/2$  passive linear two-terminal circuits elements. The suitability of a given termination circuit may for instance be determined using a suitable norm of the matrix  $\mathbf{Z}_{RA} - \mathbf{Z}_{RC}$ . For instance, a termination circuit may be proportioned such that all components of the matrix  $\mathbf{Z}_{RA} - \mathbf{Z}_{RC}$  have an absolute value less than a sufficiently small arbitrary value, for instance 3 Ohms. However, it is often more appropriate to determine the suitability of a given termination circuit using a suitable norm of the matrix of the voltage reflection coefficients, with respect to the return conductor, of said termination circuit, denoted by  $\mathbf{P}_R$  and given by

$$\mathbf{P}_R = (\mathbf{Z}_{RA} - \mathbf{Z}_{RC})(\mathbf{Z}_{RA} + \mathbf{Z}_{RC})^{-1} \quad (15)$$

For instance, at least one termination circuit may be proportioned such that, in said part of said known frequency band, each component of the matrix  $\mathbf{P}_R$  has an absolute value less than or equal to a sufficiently small arbitrary value, for instance 5/100.

At this point, it is important to note that, in a case where the methods for the reduction of internal crosstalk presented in said French patents number 0300064 and 0302814, the corresponding international applications, and Sections IV to VIII of said article entitled “A New Method for the Reduction of Crosstalk and Echo in Multiconductor Interconnections” can be applied to an interconnection having  $n$  transmission conductors and a return conductor distinct from the reference conductor, a  $(n+2)$ -conductor multiconductor transmission line is used for modeling the interconnection with the reference conductor. Thus, a characteristic impedance matrix equal to said matrix  $\mathbf{Z}_{GC}$ , of size  $(n+1) \times (n+1)$ , is obtained. The termination circuits used in these prior art methods are connected to ground (as shown in Fig. 1 and Fig. 3), and these termination circuits have an impedance matrix with respect to the reference conductor, this matrix being of size  $(n+1) \times (n+1)$ , this matrix approximating  $\mathbf{Z}_{GC}$ . Consequently, the termination circuits considered in these prior art methods are quite different from the termination circuits used in the invention.

The invention uses a superposition of waves, each of said waves resulting from the propagation of a unique modal electrical variable corresponding to a channel, because, in said part of said known frequency band, these waves have the following properties:

- a) the wave of a modal electrical variable propagates along said  $(n+1)$ -conductor multiconductor transmission line without being coupled to other modal electrical variables of a different index;
- b) at an end of said interconnection where said interconnection is connected to a termination circuit defined above, an incident wave of a modal electrical variable does not give rise to any significant reflected wave.

These properties show that the propagation of waves each corresponding to a single modal electrical variable, produced with a suitable conversion in one of the transmitting

circuits and used with an inverse conversion in one of the receiving circuits, enables transmission without internal crosstalk between the channels.

In order that the method provides the desired characteristics, it is important that the interconnection behaves, in said part of said known frequency band, taking into account the  
5 lumped impedances seen by the interconnection and caused by the circuits connected to the interconnection elsewhere than at the ends of the interconnection, as a  $(n + 1)$ -conductor multiconductor transmission line, said multiconductor transmission line having uniform electrical characteristics over its length, said multiconductor transmission line using said natural voltages referenced to the return conductor and said natural currents as natural  
10 electrical variables. In some cases, in order to take into account the lumped impedances seen by the interconnection and caused by the circuits connected to it elsewhere than at its ends, the designer need only observe that they are not present or that they may be ignored. In other cases, in order to take into account the lumped impedances seen by the interconnection and caused by the circuits connected to it elsewhere than at its ends, the designer must  
15 quantitatively consider these lumped impedances to obtain a  $(n + 1)$ -conductor multiconductor transmission line having sufficiently uniform electrical characteristics over its length.

The function of the termination circuits is to ensure that no reflection of an incident signal occurs at a disturbing level at an end of the interconnection for the signals propagating in said  $(n + 1)$ -conductor multiconductor transmission line, in said part of said known  
20 frequency band. It is clear that the lower the desired maximum crosstalk coupling level, the lower will be the level of reflection of incident signals which will have to be regarded as disturbing, and that, in order not to exceed this level, it must be specified that the termination circuit must have a matrix  $\mathbf{Z}_{RA}$  closer to  $\mathbf{Z}_{RC}$ .

According to the invention, in order to ensure that no reflection of an incident signal  
25 occurs at a disturbing level at an end of the interconnection for the signals propagating in said  $(n + 1)$ -conductor multiconductor transmission line, the specialist understands that it is sufficient, when one or more transmitting circuits are connected at a single end of the interconnection, to arrange a termination circuit at the other end of the interconnection. The specialist also sees that in all other cases, that is to say when a transmitting circuit is connected  
30 elsewhere than at one end of the interconnection, and/or when transmitting circuits are connected at both ends of the interconnection, it is necessary to arrange a termination circuit at both ends of the interconnection. Thus, according to the method of the invention, we may either arrange a termination circuit at one end only of the interconnection, or arrange a termination circuit at each end of the interconnection.

35 According to the invention, the number  $m$  of transmission channels between any one of the transmitting circuits and any one of the receiving circuits may be equal to the number  $n$  of transmission conductors. This method is preferred because it is generally the most

economical. However, it is also conceivable to use a number  $n$  of transmission conductors that is greater than the number  $m$  of transmission channels.

According to the invention, a transmitting circuit delivers modal electrical variables defined by a transition matrix from modal electrical variables to natural electrical variables, each modal electrical variable being mainly determined by one and only one of said  $m$  “input signals of the transmitting circuit”, and a receiving circuit delivers  $m$  “output signals of the receiving circuit”, each of said “output signals of the receiving circuit” being mainly determined by one and only one of said modal electrical variables defined by said transition matrix from modal electrical variables to natural electrical variables. As said above, the wording “modal electrical variable” indiscriminately designates a modal current or a modal voltage. However, the one-to-one correspondence between modal currents and modal voltages given by equation (7) for associated eigenvectors implies that

- considering that the modal electrical variables used in a transmitting circuit are modal voltages is physically equivalent to considering that the modal electrical variables used in this transmitting circuit are modal currents, and
- considering that the modal electrical variables used in a receiving circuit are modal voltages is physically equivalent to considering that the modal electrical variables used in this receiving circuit are modal currents.

As a result of this equivalence, the use of either modal currents or modal voltages as modal electrical variables is without physical effect. From the standpoint of design however, it could be more convenient to use currents or voltages, depending on the type of device selected to implement the method. For instance, in order to proportion a transmitting circuit presenting a low impedance to the interconnection, the designer may prefer to speak of modal voltages, whereas, on the contrary, in order to proportion a transmitting circuit presenting a high impedance to the interconnection, the designer may prefer to speak of modal currents.

It is important to note that, even though said  $(n + 1)$ -conductor multiconductor transmission line is used for adequately modeling the interconnection only in said part of said known frequency band, said  $(n + 1)$ -conductor multiconductor transmission line is defined in said known frequency band, so that said transition matrix from modal electrical variables to natural electrical variables is defined in said known frequency band.

According to the invention, the output of one of said transmitting circuits delivers modal electrical variables, said modal electrical variables being defined by said transition matrix from modal electrical variables to natural electrical variables of said  $(n + 1)$ -conductor multiconductor transmission line, each of said modal electrical variables being mainly determined by one and only one of said “input signals of the transmitting circuit”. This must be interpreted in a broad sense, as: each of said modal electrical variables is mainly determined, at each point in time, by the history, up to said point in time, of one and only one

of said “input signals of the transmitting circuit”. Since the use of either modal currents or modal voltages as modal electrical variables is without physical effect, let us for instance use modal voltages as modal electrical variables. In this case,  $\mathbf{V}_{RM}$  produced by said one of said transmitting circuits is determined, at each point in time, by the history, up to said point in time, of said “input signals of the transmitting circuit”. Therefore, using equation (6), we see that, at each frequency  $f$  in said known frequency band, said one of said transmitting circuits must produce, at its point of connection to the interconnection, on each transmission conductor, the natural voltages referenced to the return conductor of the column-vector  $\mathbf{V}_R(f)$  given by:

$$\mathbf{V}_R(f) = \mathbf{S}_R(f) \mathbf{V}_{RM}(f) \quad (16)$$

where we write the frequency dependence to designate frequency domain quantities, and where the Fourier transform

$$\mathbf{V}_{RM}(f) = \int_{-\infty}^{+\infty} \mathbf{V}_{RM}(t) e^{-2i\pi ft} dt \quad (17)$$

gives the frequency domain vector  $\mathbf{V}_{RM}(f)$  as a function of the time domain vector  $\mathbf{V}_{RM}(t)$  at a given point in time  $t$ . We also see that, at each point in time  $t$ , said one of said transmitting circuits must produce, on each conductor, at its point of connection to the interconnection, the natural voltages referenced to the return conductor of the column-vector  $\mathbf{V}_R(t)$  given by the inverse Fourier transform

$$\mathbf{V}_R(t) = 2 \operatorname{Re} \left[ \int_0^{+\infty} \mathbf{V}_R(f) e^{2i\pi ft} df \right] \quad (18)$$

where the integration over all positive frequencies may of course be replaced by an integration over said known frequency band. Consequently, causality implies that each of said natural voltages referenced to the return conductor is mainly determined, at each point in time, by the history, up to said point in time, of said “input signals of the transmitting circuit”.

According to the invention, one of said receiving circuits delivers “output signals of the receiving circuit”, each of said “output signals of the receiving circuit” being mainly determined by one and only one of said modal electrical variables, said modal electrical variables being defined by said transition matrix from modal electrical variables to natural electrical variables of said  $(n + 1)$ -conductor multiconductor transmission line. This must be interpreted in a broad sense, as: each of said “output signals of the receiving circuit” is mainly determined, at each point in time, by the history, up to said point in time, of one and only one of said modal electrical variables. Since the use of either modal currents or modal voltages as modal electrical variables is without physical effect, and since said one of said receiving circuits combines the natural voltages referenced to the return conductor present on the



interconnection, let us for instance use modal voltages as modal electrical variables. In this case, said “output signals of the receiving circuit” are mainly determined, at each point in time, by the history, up to said point in time, of  $\mathbf{V}_{RM}$  at the input of said one of said receiving circuits. We also see that said one of said receiving circuits must, at each point in time  $t$ , use the

5 column-vector  $\mathbf{V}_{RM}(t)$  given by the inverse Fourier transform

$$\mathbf{V}_{RM}(t) = 2 \operatorname{Re} \left[ \int_0^{+\infty} \mathbf{V}_{RM}(f) e^{2i\pi ft} df \right] \quad (19)$$

where we write the frequency dependence to designate frequency domain vectors, and where, according to equation (6),  $\mathbf{V}_{RM}(f)$  is given by

$$\mathbf{V}_{RM}(f) = \mathbf{S}_R^{-1}(f) \mathbf{V}_R(f) \quad (20)$$

10 In equation (19), the integration over all positive frequencies may of course be replaced by an integration over said known frequency band. Since said one of said receiving circuits must sense on the interconnection, at its point of connection to the interconnection, the natural voltages referenced to the return conductor, we see that the column-vector  $\mathbf{V}_R(f)$  used in equation (20) is given by the Fourier transform

$$15 \quad \mathbf{V}_R(f) = \int_{-\infty}^{+\infty} \mathbf{V}_R(t) e^{-2i\pi ft} dt \quad (21)$$

Consequently, causality implies that each of said “output signals of the receiving circuit” is mainly determined, at each point in time, by the history, up to said point in time, of  $\mathbf{V}_R$  at the input of said one of said receiving circuits.

The specialists know, for instance from a computation based on the geometry of the

20 conductors and insulators, on the conductivity of the conductors and on the permittivity and the losses of the insulators, how to determine the matrices  $\mathbf{Z}_G$  and  $\mathbf{Y}_G$  of a multiconductor transmission line used for modeling the interconnection and the reference conductor, as a function of frequency. The specialists also know how to measure these matrices. It is therefore clear that it is possible to proportion the conductors of a suitable structure such that:

- 25 - the equations (11) and (12) are satisfied to a sufficient accuracy in said part of said known frequency band;
- the matrices  $\mathbf{Z}_R$  and  $\mathbf{Y}_R$  obtained from the equations (11) and (12) are independent of  $z$  ;
- one obtains a matrix  $\mathbf{Z}_{RC}$  approximating, in said part of said known frequency band, a wanted matrix.

30 Consequently, the method of the invention may be such that, prior to modeling said interconnection, one proportions said interconnection in such a way that it may, with a sufficient accuracy in said part of said known frequency band, taking into account the lumped

impedances seen by the interconnection and caused by the circuits connected to the interconnection elsewhere than at the ends of the interconnection, be modeled as a  $(n + 1)$ -conductor multiconductor transmission line, said multiconductor transmission line having uniform electrical characteristics over its length, said multiconductor transmission line using  
 5 said natural voltages referenced to the return conductor and said natural currents as natural electrical variables.

Note that, in many cases, we can consider that, when computing the matrices  $\mathbf{Z}_{RC}$ ,  $\mathbf{S}_R$  and  $\mathbf{T}_R$  of said  $(n + 1)$ -conductor multiconductor transmission line, the losses are negligible in some frequency bands, for instance when said part of said known frequency band is above  
 10 1 MHz. In this case, in said part of said known frequency band,  $\mathbf{Z}_{RC}$  is real and frequency-independent, and the matrices  $\mathbf{S}_R$  and  $\mathbf{T}_R$  may be chosen real and frequency-independent. At lower frequencies, for instance when said part of said known frequency band contains frequencies below 1 MHz, losses are often not negligible and  $\mathbf{Z}_{RC}$  cannot be considered as real, which obviously leads to a more complex implementation of the method of the invention.  
 15 However, this question can often be disregarded, because crosstalk and echo at low frequencies may in many cases be ignored, and because, in these cases, it may be of no importance that the termination circuits arranged at one end or both ends of the interconnection present an impedance matrix near  $\mathbf{Z}_{RC}$  at these frequencies. Consequently, said part of said known frequency band will often be contained in the interval of the frequencies ranging from 1 MHz  
 20 to 100 GHz.

However, the frequency above which losses may possibly be neglected for the computation of the matrices  $\mathbf{Z}_{RC}$ ,  $\mathbf{S}_R$  and  $\mathbf{T}_R$  of said  $(n + 1)$ -conductor multiconductor transmission line depends on the shape and position of the conductors in a section of the interconnection in a plane orthogonal to the direction of propagation and on the conductivity  
 25 of the conductors. We note that in the case of on-chip interconnects, this frequency may be much higher than 1 MHz, for instance above 1 GHz.

Since, according to the invention, the properties of said  $(n + 1)$ -conductor multiconductor transmission line may be defined arbitrarily outside said part of said known frequency band, it is possible to obtain that  $\mathbf{Z}_{RC}$ ,  $\mathbf{S}_R$  and  $\mathbf{T}_R$  are real and frequency-independent  
 30 over said known frequency band, when  $\mathbf{Z}_{RC}$ ,  $\mathbf{S}_R$  and  $\mathbf{T}_R$  are real and frequency-independent over said part of said known frequency band. When  $\mathbf{Z}_{RC}$ ,  $\mathbf{S}_R$  and  $\mathbf{T}_R$  are real and frequency-independent over said known frequency band, we obtain the following consequences which simplify the design of a device for implementing the method of the invention:

a) the equations (16), (17) and (18) defining the operation of a transmitting circuit become

$$35 \quad \mathbf{V}_R(t) = \mathbf{S}_R \mathbf{V}_{RM}(t) \quad (22)$$

b) the equations (19), (20) and (21) defining the operation of a receiving circuit become

$$\mathbf{V}_{RM}(t) = \mathbf{S}_R^{-1} \mathbf{V}_R(t) \quad (23)$$

c) the matrix  $\mathbf{Z}_{RC}$  may be realized with a network of  $n(n + 1)/2$  resistors or less.

We now describe a device for proportioning a device for implementing the method of  
 5 the invention. A device for proportioning a device for transmitting through an interconnection  
 having  $n$  transmission conductors and a return conductor distinct from a reference conductor,  
 $n$  being an integer greater than or equal to 2, said device for transmitting through an  
 interconnection providing, in a known frequency band,  $m$  transmission channels, where  $m$  is  
 an integer greater than or equal to 2 and less than or equal to  $n$ , may comprise:

10 means for modeling the interconnection, in a part of said known frequency band, taking into  
 account the lumped impedances seen by the interconnection and caused by the circuits  
 connected to the interconnection elsewhere than at the ends of the interconnection, as  
 a  $(n + 1)$ -conductor multiconductor transmission line, said multiconductor transmission  
 line having uniform electrical characteristics over its length, said multiconductor  
 15 transmission line using the natural voltages referenced to the return conductor and the  
 natural currents as natural electrical variables;

means for determining, for said multiconductor transmission line and said known frequency  
 band, a transition matrix from modal electrical variables to natural electrical variables,  
 said transition matrix from modal electrical variables to natural electrical variables  
 20 being non-diagonal in said part of said known frequency band;

means for determining, for said multiconductor transmission line and said part of said known  
 frequency band, the characteristic impedance matrix with respect to the return  
 conductor  $\mathbf{Z}_{RC}$ ;

25 means for proportioning a termination circuit, said termination circuit being, in said part of  
 said known frequency band, approximately characterized, for said interconnection, by  
 an impedance matrix with respect to the return conductor, said impedance matrix with  
 respect to the return conductor being a non-diagonal matrix of size  $n \times n$  approximately  
 equal to said characteristic impedance matrix with respect to the return conductor;

30 means for proportioning a transmitting circuit, said transmitting circuit receiving  $m$  "input  
 signals of the transmitting circuit", the output of said transmitting circuit being coupled  
 to the  $n$  transmission conductors, the output of said transmitting circuit delivering  
 modal electrical variables defined by said transition matrix from modal electrical  
 variables to natural electrical variables, each of said modal electrical variables being  
 mainly determined by one and only one of said "input signals of the transmitting  
 35 circuit"; and

means for proportioning a receiving circuit, said receiving circuit delivering  $m$  "output signals

of the receiving circuit”, the input of said receiving circuit being coupled to the  $n$  transmission conductors and to said return conductor, said receiving circuit combining the natural voltages referenced to the return conductor according to linear combinations, each of said “output signals of the receiving circuit” being mainly  
5 determined by one and only one of said modal electrical variables defined by said transition matrix from modal electrical variables to natural electrical variables.

Said device for proportioning a device for transmitting through an interconnection having  $n$  transmission conductors and a return conductor distinct from the reference conductor may comprise a computer running a suitable program.

10 Said device for proportioning a device for transmitting through an interconnection having  $n$  transmission conductors and a return conductor distinct from the reference conductor may be such that the means for modeling the interconnection comprise means for measuring and/or for computing the real electrical characteristics of the interconnection, based on the relative layout of the transmission conductors and of the return conductor and on the  
15 characteristics of the dielectrics surrounding them.

Said device for proportioning a device for transmitting through an interconnection having  $n$  transmission conductors and a return conductor distinct from the reference conductor may be such that the means for modeling the interconnection comprise:  
means for calculating one or more error coefficients for estimating the difference between the  
20 actual electrical characteristics of the interconnection and the desired characteristics, for said part of said known frequency band; and  
means for optimizing the relative position of the transmission conductors and the return conductor by minimizing the error coefficient(s).

We now describe a device for implementing the method of the invention. A device for  
25 transmission providing, in a known frequency band,  $m$  transmission channels each corresponding to a signal to be sent from the input of at least one transmitting circuit to the output of at least one receiving circuit, where  $m$  is an integer greater than or equal to 2, comprises:

an interconnection having  $n$  transmission conductors and a return conductor distinct from a  
30 reference conductor,  $n$  being an integer greater than or equal to  $m$ , the interconnection being such that the interconnection can be modeled, in a part of said known frequency band, taking into account the lumped impedances seen by the interconnection and caused by the circuits connected to the interconnection elsewhere than at the ends of the interconnection, as a  $(n + 1)$ -conductor multiconductor transmission line, said  
35 multiconductor transmission line having uniform electrical characteristics over its length, said multiconductor transmission line using the natural voltages referenced to the return conductor and the natural currents as natural electrical variables;

at least one said transmitting circuit receiving  $m$  “input signals of the transmitting circuit” corresponding each to a transmission channel, the output of said at least one said transmitting circuit being coupled to the  $n$  transmission conductors, the output of said at least one said transmitting circuit delivering modal electrical variables when said at least one said transmitting circuit is in the activated state, said modal electrical variables being defined by a transition matrix from modal electrical variables to natural electrical variables of said  $(n + 1)$ -conductor multiconductor transmission line, said transition matrix from modal electrical variables to natural electrical variables being non-diagonal, each of said modal electrical variables being mainly determined by one and only one of said “input signals of the transmitting circuit”;

at least one said receiving circuit delivering, when said at least one said receiving circuit is in the activated state,  $m$  “output signals of the receiving circuit” corresponding each to a transmission channel, the input of said at least one said receiving circuit being coupled to the  $n$  transmission conductors and to said return conductor, said at least one said receiving circuit combining the natural voltages referenced to the return conductor according to linear combinations, each of said “output signals of the receiving circuit” being mainly determined by one and only one of said modal electrical variables defined by said transition matrix from modal electrical variables to natural electrical variables;

and

at least one termination circuit coupled to said return conductor and to each of said transmission conductors, said at least one termination circuit being, when said at least one termination circuit is in the activated state, approximately characterized, for said interconnection, at at least one quiescent operating point, for small signals in said part of said known frequency band, by an impedance matrix with respect to the return conductor, denoted by  $\mathbf{Z}_{RL}$ , said impedance matrix with respect to the return conductor being a non-diagonal matrix of size  $n \times n$  approximately equal to the characteristic impedance matrix with respect to the return conductor of said  $(n + 1)$ -conductor multiconductor transmission line.

Said interconnection may be structurally combined with the reference conductor throughout the length of the interconnection.

In the following, the wordings “is in the deactivated state” and “is not in the activated state” are equivalent. According to the invention, it is possible that there is a deactivated state for one or more of said transmitting circuits, in which the behavior of this transmitting circuit is different from the one defined above. However, the existence of a deactivated state for one or more of said transmitting circuits is not at all a characteristic of the invention. According to the invention, it is possible that there is a deactivated state for one or more of said receiving circuits, in which the behavior of this receiving circuit is different from the one defined above.

However, the existence of a deactivated state for one or more of said receiving circuits is not at all a characteristic of the invention. According to the invention, it is possible that there is a deactivated state for one or more of said termination circuits, in which the behavior of this termination circuit is different from the one defined above. However, the existence of a  
5 deactivated state for one or more of said termination circuits is not at all a characteristic of the invention.

According to the invention, the “input signals of the transmitting circuit” may be analog or digital signals. A transmitting circuit used in a device for implementing the method of the invention may use analog signal processing and/or digital signal processing to deliver said  
10 modal electrical variables. According to the invention, the “output signals of the receiving circuit” may be analog or digital signals. A receiving circuit used in a device for implementing the method of the invention may use analog signal processing and/or digital signal processing to deliver said “output signals of the receiving circuit”.

For a termination circuit used in a device for implementing the method of the invention,  
15 the requirement relating to  $\mathbf{Z}_{RL}$ , namely that  $\mathbf{Z}_{RL}$  must be a non-diagonal matrix of size  $n \times n$  approximately equal to  $\mathbf{Z}_{RC}$ , should be applicable to the normal operation of the device for implementing the method of the invention. Said quiescent operating point chosen for determining  $\mathbf{Z}_{RL}$  should therefore be such that the quiescent voltages between each of said transmission conductors and said return conductor have values which may appear at a given  
20 point in time under normal operation.

A termination circuit used in a device for implementing the method of the invention may be such that it behaves as a linear circuit for the interconnection. Consequently, said at least one termination circuit coupled to said return conductor and to each of said transmission conductors may be such that said at least one termination circuit is, in said part of said known  
25 frequency band, when said at least one termination circuit is in the activated state, approximately characterized, for said interconnection, by an impedance matrix with respect to the return conductor, denoted by  $\mathbf{Z}_{RL}$ , said impedance matrix with respect to the return conductor being a non-diagonal matrix of size  $n \times n$  approximately equal to the characteristic impedance matrix with respect to the return conductor of said  $(n + 1)$ -conductor  
30 multiconductor transmission line.

In a device for implementing the method of the invention, said interconnection may in particular be realized without using a cable, as explained above.

In a device for implementing the method of the invention, it is possible that the number  $m$  of transmission channels between one of said transmitting circuits and one of said receiving  
35 circuits is equal to the number  $n$  of transmission conductors. Such a device is preferred because it provides the largest number of transmission channels for a given interconnection. However, it is also conceivable to use a number  $n$  of transmission conductors greater than the number  $m$

of transmission channels. In particular,  $n$  may be greater than or equal to three.

In a device for implementing the method of the invention, it is possible that each of said termination circuits is arranged at an end of said interconnection. This arrangement is preferred because specialists understand that it is the best technique for eliminating reflections of signals propagating in said  $(n + 1)$ -conductor multiconductor transmission line.

A device for implementing the method of the invention may be such that said termination circuits, said transmitting circuits and said receiving circuits are without any part in common to any two of them. Conversely, a device for implementing the method of the invention may be such that said termination circuits, said transmitting circuits and said receiving circuits are not without any part in common to any two of them.

A device for implementing the method of the invention, thanks to the characteristics specified for the interconnection and for the terminations, uses the return conductor as a return path for the return current produced by the currents flowing in the  $n$  transmission conductors, like the invention described in said French patent application number 07/05260 and the corresponding international application. Moreover, the return conductor as defined in the invention is used by the receiving circuits for delivering the "output signals of the receiving circuit". Consequently, it is appropriate to consider that the method of the invention and the device for implementing the method of the invention are pseudo-differential.

According to the invention, it is specified that it must be possible to model the interconnection as a multiconductor transmission line having uniform electrical characteristics over its length, in said part of said known frequency band, taking into account the lumped impedances seen by the interconnection and caused by the circuits connected to it elsewhere than at its ends. In order to take these lumped impedances into account by merely stating that they are not present or that they may be ignored, these circuits must be such that they do not disturb the propagation along the multiconductor transmission line. The person skilled in the art sees that this result can for instance be obtained by:

- using transmitting circuits connected in series with the conductors of the interconnection, and showing a low series impedance;
- using transmitting circuits connected in parallel with the conductors of the interconnection, and showing a high parallel impedance;
- using receiving circuits connected in parallel with the conductors of the interconnection, and showing a high parallel impedance.

Connecting the transmitting circuits in parallel with the interconnection is simpler than connecting them in series. The parallel connection is therefore *a priori* preferred.

According to the invention, it is possible that the section of the interconnection in a plane orthogonal to the direction of propagation does not change, except for a scale factor, over the greatest part of the length of the interconnection, in the vicinity of the transmission

conductors.

One or more of said termination circuits of a device for implementing the method of the invention may for instance be a termination circuit defined in said French patent application number 08/03876 and the corresponding international application, having  $n$  signal terminals and a common terminal, each of said signal terminals being connected to one and only one of said transmission conductors, each of said transmission conductors being connected to one and only one of said signal terminals, said common terminal being connected to said return conductor. Consequently, a device for implementing the method of the invention may be such that at least one said termination circuit is, when said at least one said termination circuit is in the activated state, approximately equivalent, for said transmission conductors and said return conductor, to a  $(n + 1)$ -terminal network such that, at at least one quiescent operating point, for small signals in said part of said known frequency band, the impedance matrix with respect to said common terminal of said  $(n + 1)$ -terminal network is equal to  $\mathbf{Z}_{RC}$ .

A device for implementing the method of the invention may be such that at least one said termination circuit is made of a network of resistors,  $n$  of said resistors being each connected between one of said transmission conductors and said return conductor, one or more of said resistors being each connected between two of said transmission conductors.

A termination circuit made of a network of resistors is however not at all a characteristic of the invention. By way of a first example, designers may, in order to reduce the power consumed by one of said termination circuits, choose to allow this termination circuit to be effective only in a relevant interval of frequencies, for instance by including suitable reactive circuit elements in this termination circuit. By way of a second example, one of said termination circuits could include active components, for instance insulated gate field-effect transistors (MOSFETs) operating in the ohmic regime. The impedance of the channel of such components may be adjustable by electrical means. Consequently, a device for implementing the method of the invention may be such that the impedance matrix with respect to the return conductor, of at least one said termination circuit in the activated state, can be adjusted by electrical means.

In the case where one of said termination circuits has an activated state and a deactivated state, the impedance of the channel of one or more MOSFETs may for instance be controlled by one or more control signals taking on different values in the activated state and in the deactivated state. Consequently, at least one of said termination circuits may be such that said termination circuit has an activated state and a deactivated state, the impedance matrix, with respect to said return conductor, of said termination circuit in the activated state being different from the impedance matrix, with respect to said return conductor, of said termination circuit in the deactivated state.

In the case where one of said termination circuits has an activated state and a



deactivated state, components such as transistors may for instance be used as switches having a closed state and an open state. In this case, said transistors may for instance be in the closed state when this termination circuit is in the activated state, and be in the open state when this termination circuit is in the deactivated state. Consequently, it is possible that at least one said  
5 termination circuit has an activated state and a deactivated state, each current flowing from said at least one said termination circuit to one of said transmission conductors being substantially zero when said at least one said termination circuit is in the deactivated state. Designers may, in order to reduce the power consumed by such a termination circuit, choose to put this termination circuit in the deactivated state when a transmitting circuit close to the  
10 termination circuit is in the activated state.

According to the invention, at least one termination circuit is such that  $Z_{RL}$  is a matrix of size  $n \times n$ . This implies that this termination circuit in the activated state approximately behaves, for the interconnection, as if it was not connected to said reference conductor. However, a device for implementing the method of the invention may further comprise one or  
15 more damping circuits coupled to said return conductor, each of said damping circuits being, for said return conductor, approximately equivalent to a network consisting of a passive two-terminal circuit element connected in series with a voltage source delivering a constant voltage, said network having a first terminal coupled to said return conductor, said network having a second terminal coupled to said reference conductor (ground). Since the invention  
20 does not use signals applied between the return conductor and ground, the function of said damping circuits is not to reduce the reflections of signals. The specialist understands that said damping circuits are intended to provide a damping of the resonances of the circuit consisting of the return conductor and the reference conductor, which may be excited by the noise produced by unwanted electromagnetic couplings. Said damping circuits may therefore further  
25 reduce the effects of unwanted electromagnetic couplings.

Any one of said damping circuits may be such that said passive two-terminal circuit element belonging to said network approximately equivalent to said damping circuit may be considered as linear. Consequently, according to the invention, at least one of said damping circuits may be, for said return conductor, approximately equivalent to a network consisting  
30 of a passive linear two-terminal circuit element having a first terminal coupled to said return conductor and a second terminal held at a (positive, negative or zero) fixed voltage with respect to said reference conductor. Such a damping circuit is characterized, at any non-zero frequency, by a scalar impedance between the return conductor and ground.

We observe that the combination of such a damping circuit and of one of said  
35 termination circuits in the activated state presents, with respect to said return conductor, at any frequency in said part of said known frequency band, a non-diagonal impedance matrix of size  $(n + 1) \times (n + 1)$ .

A device for implementing the method of the invention may be such that none of said damping circuits has any part in common with one of said receiving circuits and/or with one of said termination circuits and/or with one of said transmitting circuits. Conversely, a device for implementing the method of the invention may be such that one or more of said damping  
5 circuits has one or more parts in common with one of said receiving circuits and/or with one of said termination circuits and/or with one of said transmitting circuits.

According to the invention, one or more of said transmitting circuits and/or one or more of said receiving circuits may have a filtering function, for instance for the purpose of obtaining a pre-emphasis, a de-emphasis or an equalization improving transmission. It then  
10 becomes necessary to synthesize the corresponding filters, either as analog filters or as digital filters, using one of the many methods known to specialists.

When losses are not negligible in the interconnection, phase and amplitude distortions may occur, which are referred to as distortions caused by propagation. The reduction of these distortions may be obtained, in a device for implementing the method of the invention, using  
15 an equalization reducing the effects of the distortions caused by propagation, said equalization being implemented in one or more of said transmitting circuits and/or in one or more of said receiving circuits. This type of processing, which is also sometimes referred to as compensation, is well known to specialists and may be implemented using analog signal processing or digital signal processing.

20 Specialists know that it is commonplace to use adaptive algorithms for implementing this type of processing in receivers for data transmission. A device for implementing the method of the invention may use an adaptive equalization. This type of processing is well known to specialists and is often implemented using digital signal processing.

## BRIEF DESCRIPTION OF THE DRAWINGS

25 Other advantages and characteristics of the invention will appear more clearly from the following description of particular embodiments of the invention, given by way of non-limiting examples, with reference to the accompanying drawings in which:

- Figure 1 shows a device for transmission comprising an interconnection having four transmission conductors, and has already been discussed in the section  
30 dedicated to the presentation of prior art;
- Figure 2 shows a first termination circuit which may be used in the device for transmission shown in Fig. 1, and has already been discussed in the section dedicated to the presentation of prior art;
- Figure 3 shows a second termination circuit which may be used in the device  
35 for transmission shown in Fig. 1, and has already been discussed in the section

- dedicated to the presentation of prior art;
- Figure 4 shows a third termination circuit which may be used in the device for transmission shown in Fig. 1, and has already been discussed in the section dedicated to the presentation of prior art;
  - 5 - Figure 5 shows a termination circuit which may be used in a pseudo-differential transmission scheme, and has already been discussed in the section dedicated to the presentation of prior art;
  - Figure 6 shows a first prior-art pseudo-differential device for transmission comprising an interconnection having four transmission conductors (already discussed in the section dedicated to the presentation of prior art);
  - 10 - Figure 7 shows a second prior-art pseudo-differential device for transmission comprising an interconnection having four transmission conductors (already discussed in the section dedicated to the presentation of prior art);
  - Figure 8 shows a third prior-art pseudo-differential device for transmission comprising an interconnection having four transmission conductors (already discussed in the section dedicated to the presentation of prior art);
  - 15 - Figure 9 shows a cross section of an interconnection and of the reference conductor, which may be used in the pseudo-differential device for transmission of the Figure 8;
  - Figure 10 shows a cross section of an interconnection and of the reference conductor, which may be used in the pseudo-differential device for transmission of the Figure 8;
  - 20 - Figure 11 shows a first embodiment of the invention;
  - Figure 12 shows a second embodiment of the invention;
  - 25 - Figure 13 shows a third embodiment of the invention;
  - Figure 14 shows a fourth embodiment of the invention;
  - Figure 15 shows a fifth embodiment of the invention.

## DETAILED DESCRIPTION OF SOME EMBODIMENTS

### First embodiment.

- 30 As a first embodiment of a device for implementing the method of the invention, given by way of non-limiting example, we have represented in Fig. 11 a device of the invention comprising an interconnection (1) built in a printed circuit board, the interconnection (1) having  $n = 4$  transmission conductors (11) (12) (13) (14) and a return conductor (10) distinct from the reference conductor (7). All items shown in Fig. 11 belong to the same printed circuit

assembly and the reference conductor (7) is a ground plane of the printed circuit board of this printed circuit assembly. Said transmission conductors (11) (12) (13) (14) are traces built in the printed circuit board, above the reference conductor (7). A transmitting circuit (5) receives at its input the  $m = 4$  “input signals of the transmitting circuit” from the  $m$  channels of the source (2), and its  $n$  output terminals are connected to the transmission conductors (11) (12) (13) (14) of the interconnection (1), at the near-end of the interconnection (1). A termination circuit (4) is connected to the conductors (10) (11) (12) (13) (14) of the interconnection (1), at the far-end of the interconnection (1). A receiving circuit (6) has its  $n + 1 = 5$  input terminals connected to the conductors (10) (11) (12) (13) (14) of the interconnection (1), at the far-end of the interconnection (1). The output of the receiving circuit (6) delivers  $m$  “output signals of the receiving circuit” to the destination (3). Thus, the analog or digital signals of the  $m$  channels of the source (2) are sent to the  $m$  channels of the destination (3).

The termination circuit (4) is such that, in a part of the frequency band used for transmission, the impedance matrix, with respect to the return conductor, of the termination circuit is a non-diagonal matrix of size  $n \times n$  approximately equal to  $\mathbf{Z}_{RC}$ ,  $\mathbf{Z}_{RC}$  being the characteristic impedance matrix with respect to the return conductor of a  $(n + 1)$ -conductor multiconductor transmission line used to model the interconnection, as explained above.

The specialist understands that the termination circuit (4) behaves as if it was not connected to ground. Consequently, there is no constraint on the manner of routing the interconnection (1) with respect to ground (7). Consequently, in Fig. 11, the reference conductor (7) is represented as an irregular geometrical shape, which indicates that the distance between the conductors of the interconnection (1) and the reference conductor (7) may vary as a function of the abscissa  $z$  along the interconnection.

The transmitting circuit (5) delivers  $n$  transmission variables, each of said transmission variables being a voltage between an output terminal of the transmitting circuit (5) and ground. Each output terminal of the transmitting circuit (5) presents a low impedance with respect to ground. Since the return conductor (10) is grounded at the near-end of the interconnection (1), we can say that each of said transmission variables is the voltage between one of said transmission conductors (11) (12) (13) (14) and said return conductor (10). Consequently, each of said transmission variables is a natural electrical variable of said  $(n + 1)$ -conductor multiconductor transmission line used to model the interconnection. Each of said transmission variables delivered by said transmitting circuit (5) is a linear combination of signals each mainly determined by one and only one of said  $m$  “input signals of the transmitting circuit”, so that the output of said transmitting circuit (5) delivers modal voltages defined by a non-diagonal transition matrix from modal voltages to natural voltages, denoted by  $\mathbf{S}_R$ , of said  $(n + 1)$ -conductor multiconductor transmission line used to model the interconnection, each of said modal voltages being mainly determined by one and only one of said “input signals of the

transmitting circuit". Thus,  $\mathbf{V}_{RM}$  produced by the transmitting circuit (5) is determined, at each point in time, by the history, up to said point in time, of said "input signals of the transmitting circuit". Thus, the equations (16), (17) and (18) are applicable to the operation of the transmitting circuit (5).

5 For instance, said transmitting circuit (5) may be similar to one of the transmitting circuits described in said French patent number 0300064 and the corresponding international application, for instance to the transmitting circuit shown in Fig. 9 of the French patent number 0300064 and the corresponding international application. For instance, said transmitting circuit (5) may be similar to one of the transmitting circuits described in said French patent number  
 10 0302814 and the corresponding international application, for instance to the transmitting circuit shown in Fig. 2 of the French patent number 0302814 and the corresponding international application in the case where the "input signals of the transmitting circuit" are digital signals, or to the transmitting circuit shown in Fig. 4 of the French patent number 0302814 and the corresponding international application in the case where the "input signals  
 15 of the transmitting circuit" are analog signals.

The receiving circuit (6) delivers  $m$  "output signals of the receiving circuit", each of said "output signals of the receiving circuit" being mainly determined by one and only one of said modal voltages defined by the matrix  $\mathbf{S}_R$ . Thus, said "output signals of the receiving circuit" are mainly determined, at each point in time, by the history, up to said point in time,  
 20 of  $\mathbf{V}_{RM}$  at the input of the receiving circuit (6). Thus, the equations (19), (20) and (21) are applicable to the operation of the receiving circuit (6).

For instance, said receiving circuit (6) may be a receiving circuit disclosed in the French patent application number 08/03830 of 7 July 2008 entitled "Circuit de réception pseudo-différentiel" or in the corresponding international application number  
 25 PCT/IB2009/051053 of 13 March 2009, entitled "Pseudo-differential receiving circuit".

The Fig. 9 shows a section of the interconnection (1) and of the reference conductor (7) in a plane orthogonal to the direction of propagation, at a given abscissa  $z$ . In this structure, the return conductor (10) is a copper area and the transmission conductors (11) (12) (13) (14) are traces which are clearly closer to the return conductor (10) than to the reference conductor  
 30 (7). The interconnection (1) is proportioned in such a way that it can be modeled, with a sufficient accuracy, as a  $(n + 1)$ -conductor multiconductor transmission line, such that

$$\mathbf{Z}_R \approx j\omega \mathbf{L}_R \quad \text{with} \quad \mathbf{L}_R \approx \begin{pmatrix} 332 & 57 & 18 & 8 \\ 57 & 329 & 57 & 18 \\ 18 & 57 & 329 & 57 \\ 8 & 18 & 57 & 332 \end{pmatrix} \text{ nH/m} \quad (24)$$

and

$$\mathbf{Y}_R \approx j\omega \mathbf{C}_R \quad \text{with} \quad \mathbf{C}_R \approx \begin{pmatrix} 108 & -7 & 0 & 0 \\ -7 & 109 & -7 & 0 \\ 0 & -7 & 109 & -7 \\ 0 & 0 & -7 & 108 \end{pmatrix} \text{ pF/m} \quad (25)$$

The known frequency band used for transmission extends from 0 Hz to 1 GHz. The equations (24) and (25) are applicable to the frequency band 3 MHz to 1 GHz, corresponding to said part of said known frequency band, in which the designer has established that losses may be neglected in the computation of  $\mathbf{Z}_{RC}$ ,  $\mathbf{T}_R$  and  $\mathbf{S}_R$ . However, the designer decides that the equations (24) and (25) define the  $(n + 1)$ -conductor multiconductor transmission line used to model the interconnection in the known frequency band (that is to say from 0 Hz to 1 GHz). The fact that this  $(n + 1)$ -conductor multiconductor transmission line is not an accurate model below 3 MHz has no detrimental consequence in this application, because the interconnection being shorter than 1 m, it is electrically short below 3 MHz.

Said  $(n + 1)$ -conductor multiconductor transmission line is therefore such that said per-unit-length impedance matrix  $\mathbf{Z}_R$  and said per-unit-length admittance matrix  $\mathbf{Y}_R$  are independent of the abscissa  $z$ . The characteristic impedance matrix with respect to the return conductor,  $\mathbf{Z}_{RC}$ , is frequency independent and given by

$$\mathbf{Z}_{RC} \approx \begin{pmatrix} 55,5 & 6,5 & 1,5 & 0,6 \\ 6,5 & 55,0 & 6,5 & 1,5 \\ 1,5 & 6,5 & 55,0 & 6,5 \\ 0,6 & 1,5 & 6,5 & 55,9 \end{pmatrix} \Omega \quad (26)$$

The chosen transition matrix from modal voltages to natural voltages is frequency independent and given by

$$\mathbf{S}_R \approx \begin{pmatrix} 0,44347 & 0,60712 & 0,26051 & 0,49286 \\ 0,57407 & 0,30611 & -0,52858 & -0,38998 \\ 0,57407 & -0,30611 & 0,52858 & -0,38998 \\ 0,44347 & -0,60712 & -0,26051 & 0,49286 \end{pmatrix} \quad (27)$$

A simple computation shows that  $\mathbf{S}_R$  is not an orthogonal matrix.

The termination circuit (4) may clearly correspond to the schematic diagram shown in Fig. 4. In this case, the termination circuit (4) comprises  $n$  signal terminals (101), a common terminal (100),  $n$  resistors (405) (406) (407) (408) each connected between the common terminal (100) and one and only one of said signal terminals (101), and  $n(n - 1)/2$  resistors (4012) (4013) (4014) (4023) (4024) (4034) each connected between two signal terminals. The signal terminals (101) of the termination circuit (4) are connected to the transmission

conductors (11) (12) (13) (14) of the interconnection (1) and the common terminal (100) of the termination circuit (4) is connected to the return conductor (10) of the interconnection (1). A simple computation provides the values of the resistors such that the impedance matrix of the termination circuit with respect to the return conductor is equal to  $\mathbf{Z}_{RC}$ . It is also possible to show that, in this embodiment, one may use only  $n - 1$  resistors connected between two signal terminals, these resistors (4012) (4023) (4034) corresponding to adjacent transmission conductors, and obtain an impedance matrix of the termination circuit with respect to the return conductor which closely approximates  $\mathbf{Z}_{RC}$ , using only  $2n - 1$  resistors in the termination circuit (4).

At frequencies for which the equations (11) and (12) may be used, it is possible, at any abscissa  $z$ , to define the per-unit-length impedance  $Z_{RG}$  and the per-unit-length admittance  $Y_{RG}$  used in the equations (11) and (12). The fact that, as explained above, there is no constraint on the manner of routing the interconnection (1) with respect to ground (7), implies that  $Z_{RG}$  and  $Y_{RG}$  *a priori* depend on the abscissa  $z$ . This implies that it is *a priori* not possible to model the propagation in the interconnection-ground structure using a  $(n + 2)$ -conductor multiconductor transmission line, said multiconductor transmission line having uniform electrical characteristics over its length.

For the specialist, Fig. 9 shows that the position of the transmission conductors (11) (12) (13) (14) with respect to the return conductor (10) and to the reference conductor (7) is such that the return conductor (10) may in a way act as an electromagnetic screen. Consequently, the pseudo-differential device for transmission of the invention practically does not generate electromagnetic disturbances which may degrade the performances of nearby circuits, and is practically not vulnerable to electromagnetic disturbances produced by nearby circuits. Consequently, the invention practically eliminates the external crosstalk, using a principle similar to the one used in said French patent application number 07/05260 and the corresponding international application. Additionally, the invention eliminates echo and internal crosstalk because it uses modal electrical variables of said  $(n + 1)$ -conductor multiconductor transmission line and at least one termination circuit capable of absorbing such modal electrical variables.

An interconnection having the structure shown in Fig. 9 could also be built inside an integrated circuit, and be used in a device for implementing the method of the invention designed using an approach similar to the one presented in this first embodiment.

Finally, we note that said receiving circuit (6) and said termination circuit (4) may form a device described in said French patent application number 08/03876 or in the corresponding international application.

Second embodiment (best mode).

As a second embodiment of a device for implementing the method of the invention, given by way of non-limiting example and best mode of carrying out the invention, we have represented in Fig. 12 a device of the invention comprising an interconnection (1) having  $n = 4$  transmission conductors (11) (12) (13) (14) and a return conductor (10) distinct from the reference conductor (7). A transmitting circuit (5) receives at its input the  $m = 4$  “input signals of the transmitting circuit” from the  $m$  channels of the source (2), and its  $n + 1$  output terminals are connected to the conductors (10) (11) (12) (13) (14) of the interconnection (1), at the near-end of the interconnection (1). A termination circuit (4) is connected to the conductors (10) (11) (12) (13) (14) of the interconnection (1), at the far-end of the interconnection (1). A receiving circuit (6) has its  $n + 1$  input terminals connected to the conductors (10) (11) (12) (13) (14) of the interconnection (1), at the far-end of the interconnection (1). The output of the receiving circuit (6) delivers  $m$  “output signals of the receiving circuit” to the destination (3). Thus, the analog or digital signals of the  $m$  channels of the source (2) are sent to the  $m$  channels of the destination (3).

In this second embodiment, the interconnection (1) and the termination circuit (4) are identical to the ones used in the first embodiment.

The transmitting circuit (5) is a device described in the French patent application number 08/03985 of 11 July 2008, entitled “Dispositif d’interface multicanal avec circuit d’équilibrage” corresponding to the international application number PCT/IB2009/051557 of 14 April 2009, entitled “Multichannel interfacing device having a balancing circuit”, having  $n$  signal terminals and a common terminal, each of said signal terminals being connected to one and only one of said transmission conductors, each of said transmission conductors being connected to one and only one of said signal terminals, said common terminal being connected to said return conductor.

The transmitting circuit (5) delivers  $n$  transmission variables, each of said transmission variables being a current flowing out of a signal terminal of the transmitting circuit (5). Since the return conductor (10) is connected to said common terminal of the transmitting circuit (5), the return conductor (10) is used as a return path for the return current produced by the currents flowing on the  $n$  transmission conductors (11) (12) (13) (14). Consequently, each of said transmission variables is a natural electrical variable of said  $(n + 1)$ -conductor multiconductor transmission line used to model the interconnection. Each of said transmission variables delivered by said transmitting circuit (5) is a linear combination of signals each mainly determined by one and only one of said  $m$  “input signals of the transmitting circuit”, so that the output of said transmitting circuit (5) delivers modal currents defined by a non-diagonal transition matrix from modal currents to natural currents, denoted by  $\mathbf{T}_R$ , of the  $(n + 1)$ -



conductor multiconductor transmission line used to model the interconnection, each of said modal currents being mainly determined by one and only one of said “input signals of the transmitting circuit”. Thus,  $\mathbf{I}_{RM}$  produced by the transmitting circuit (5) is determined, at each point in time, by the history, up to said point in time, of said “input signals of the transmitting circuit”. We may, using the equation (5), define a transition matrix from modal voltages to natural voltages, denoted by  $\mathbf{S}_R$ , associated to  $\mathbf{T}_R$ , the matrix  $\mathbf{S}_R$  being non-diagonal. In this case, the equation (7) is applicable and we obtain a one-to-one correspondence between the modal currents  $i_{RM\ \alpha}$  and the modal voltages  $v_{RM\ \alpha}$ . Consequently, the transmitting circuit (5) produces modal voltages at its output, these modal voltages being defined by  $\mathbf{S}_R$ , each of said modal voltages being mainly determined by one and only one of said “input signals of the transmitting circuit”. Thus,  $\mathbf{V}_{RM}$  produced by the transmitting circuit (5) is determined, at each point in time, by the history, up to said point in time, of said “input signals of the transmitting circuit”. Thus, the equations (16), (17) and (18) are applicable to the operation of the transmitting circuit (5).

Each output terminal of the transmitting circuit (5) presents a high impedance with respect to ground. Since only one termination circuit (4) is used, we may write that, in the part of the frequency band used for transmission,

$$\mathbf{V}_R = \mathbf{Z}_{RC} \mathbf{I}_{TX} \quad (28)$$

where  $\mathbf{I}_{TX}$  is the column-vector of the currents flowing out of the signal terminals of the transmitting circuit (5). Using the equation (6) and the equation (7), we find that  $\mathbf{V}_{RM}$  is given by

$$\mathbf{V}_{RM} = \frac{1}{j\omega c_K} \Gamma_R \mathbf{T}_R^{-1} \mathbf{I}_{TX} \quad (29)$$

The chosen transition matrix from modal currents to natural currents is frequency independent and given by

$$\mathbf{T}_R \approx \begin{pmatrix} 0,43877 & 0,62426 & 0,31835 & 0,55958 \\ 0,55451 & 0,31259 & -0,63139 & -0,43228 \\ 0,55451 & -0,31259 & 0,63139 & -0,43228 \\ 0,43877 & -0,62426 & -0,31835 & 0,55958 \end{pmatrix} \quad (30)$$

The matrix  $\mathbf{T}_R$  given by equation (30) is associated to  $\mathbf{S}_R$  given by equation (27) and a simple computation shows that  $\mathbf{T}_R$  is not an orthogonal matrix.

We note that this second embodiment could have used a second termination circuit, as shown in Fig. 8. However, only one termination circuit (4) is used in this second embodiment (as in the first embodiment) because waves coming from the interconnection (1) may only be incident on the far-end.

### Third embodiment.

As a third embodiment of a device for implementing the method of the invention, given by way of non-limiting example, we have represented in Fig. 13 a device of the invention comprising an interconnection (1) built on the substrate of a multi-chip module (MCM), the interconnection (1) having  $n = 3$  transmission conductors (11) (12) (13) and a return conductor (10) distinct from the reference conductor (7). A transmitting circuit (5) receives at its input the  $m = 3$  "input signals of the transmitting circuit" from the  $m$  channels of the source (2), and its  $n$  output terminals are connected to the transmission conductors (11) (12) (13) of the interconnection (1), at the near-end of the interconnection (1). A termination circuit (4) is connected to the conductors (10) (11) (12) (13) of the interconnection (1), at the far-end of the interconnection (1). A receiving circuit (6) has its  $n + 1$  input terminals connected to the conductors (10) (11) (12) (13) of the interconnection (1), at the far-end of the interconnection (1). The output of the receiving circuit (6) delivers  $m$  "output signals of the receiving circuit" to the destination (3). Thus, the analog or digital signals of the  $m$  channels of the source (2) are sent to the  $m$  channels of the destination (3).

In this third embodiment, there is only one termination circuit (4) because the signals are intended to propagate in a single direction and because a single termination sufficiently reduces reflections. The termination circuit (4) is such that, in the frequency band used for transmission, the impedance matrix, with respect to the return conductor, of said termination circuit is a non-diagonal matrix of size  $n \times n$  approximately equal to the characteristic impedance matrix with respect to the return conductor of a  $(n + 1)$ -conductor multiconductor transmission line used to model the interconnection, as explained above.

In this third embodiment, the return conductor (10) is, at the near-end of the interconnection (1), connected to a node presenting a fixed voltage with respect to a reference node of the transmitting circuit (5).

In this third embodiment, a damping circuit (8) is connected between the return conductor (10) and ground, at the far-end of the interconnection (1). The damping circuit (8) consists of a branch comprising a capacitor connected in series with a resistor, this branch being connected between the return conductor (10) and ground. The damping circuit (8) damps the resonances of the circuit consisting of the return conductor and of the reference conductor. The specialists understand that this may improve the protection against external crosstalk, and that, in the case where the parameters  $Z_{RG}$  and  $Y_{RG}$  of the equations (11) and (12) are roughly independent from the abscissa  $z$ , a good damping is obtained when the square of the impedance of the damping circuit is approximately equal to the ratio  $Z_{RG} / Y_{RG}$ . In practice, values ranging between  $5 \Omega$  and  $100 \Omega$  may often be suitable for said resistor of the damping circuit.

This third embodiment is appropriate for the transmission of analog signals, and for the

transmission of digital signals.

#### Fourth embodiment.

As a fourth embodiment of a device for implementing the method of the invention, given by way of non-limiting example, we have represented in Fig. 14 a device of the invention comprising an interconnection (1) built on the substrate of a multi-chip module, the interconnection (1) having  $n = 3$  transmission conductors (11) (12) (13) and a return conductor (10) distinct from the reference conductor (7). A transmitting circuit (5) receives at its input the  $m = 3$  "input signals of the transmitting circuit" from the  $m$  channels of the source (2), and its  $n + 1$  output terminals are connected to the conductors (10) (11) (12) (13) of the interconnection (1), at the near-end of the interconnection (1). A termination circuit (4) is connected to the conductors (10) (11) (12) (13) of the interconnection (1), at the far-end of the interconnection (1). A receiving circuit (6) has its  $n + 1$  input terminals connected to the conductors (10) (11) (12) (13) of the interconnection (1), at the far-end of the interconnection (1). The output of the receiving circuit (6) delivers  $m$  "output signals of the receiving circuit" to the destination (3). Thus, the analog or digital signals of the  $m$  channels of the source (2) are sent to the  $m$  channels of the destination (3).

In this fourth embodiment, there is only one termination circuit (4) because the signals are intended to propagate in a single direction and because a single termination sufficiently reduces reflections.

In this fourth embodiment, two damping circuits (8) are each connected between the return conductor (10) and a node held at a constant voltage with respect to a reference terminal. For the first damping circuit, this node is a power supply terminal having a constant voltage with respect to a reference node. The second damping circuit is directly connected to a reference node. We note that it would be possible to consider that the first damping circuit is a part of the transmitting circuit (5) and/or that the second damping circuit is a part of the receiving circuit (6).

In this fourth embodiment, the receiving circuit (6) may for instance be similar to the receiving circuit shown in Fig. 6 of said French patent application number 08/03830 and the corresponding international application. Such a receiving circuit uses an alternating current coupling to the conductors (10) (11) (12) (13) of the interconnection (1).

#### Fifth embodiment.

As a fifth embodiment of a device for implementing the method of the invention, given by way of non-limiting example, we have represented in Fig. 15 a device of the invention

comprising an interconnection (1) having  $n = 4$  transmission conductors and a return conductor (10) distinct from the reference conductor (7). At each end of the interconnection (1), a termination circuit (4) is connected to the conductors of the interconnection (1). Each termination circuit (4) is such that the impedance matrix of the termination circuit with respect to the return conductor is, in a part of the frequency band used for transmission, a non-diagonal matrix of size  $n \times n$  approximately equal to the characteristic impedance matrix with respect to the return conductor of a  $(n + 1)$ -conductor multiconductor transmission line used to model the interconnection, as explained above. Two transmitting circuits (5) placed at two different abscissa  $z$ , receive at their inputs the signals from the  $m = 4$  channels of the two sources (2), and the  $n + 1$  output terminals of each transmitting circuit are connected to the  $n + 1$  conductors of the interconnection (1). Three receiving circuits (6) are placed at three different abscissa  $z$  and the  $n + 1$  input terminals of each receiving circuit are connected to the  $n + 1$  conductors of the interconnection (1). Three damping circuits (8) are connected between the return conductor (10) and the reference conductor (7). The output of each receiving circuit (6) delivers  $m$  "output signals of the receiving circuit" to a destination (3).

In this fifth embodiment, the geometry of the interconnection (1) and of the reference conductor (7) is such that the section of the interconnection (1) and the reference conductor (7), in a plane orthogonal to the direction of propagation, does not change over the greatest part of the length of the interconnection, in the vicinity of the transmission conductors.

In Fig. 15, each of the transmitting circuits (5) is associated with a receiving circuit (6) placed at the same abscissa  $z$  as said each of the transmitting circuit (5). Each of said transmitting circuits (5) delivers, when said each of said transmitting circuit (5) is in the activated state,  $m$  modal currents, each of said modal currents being mainly determined by the signal of only one channel of the source (2) connected to said each of said transmitting circuits (5). Consequently, a transmitting circuits (5) in the activated state produces modal electrical variables, each modal electrical variable being allocated to one and only one channel.

We note that Fig. 15 shows a data bus architecture, and that the address and/or control lines needed to obtain the activated state of at most one transmitting circuit (5) at a given point in time are not shown in Fig. 15.

Each of the  $m$  "output signals of the receiving circuit" delivered by any one of the receiving circuits (6) is mainly determined by only one of the modal voltages appearing at the input of said any one of the receiving circuits (6). Thus, the signals of the  $m$  channels of a source (2) connected to a transmitting circuit (5) in the activated state are sent to the  $m$  channels of the destinations (3), without noticeable echo, internal crosstalk or external crosstalk.

We note that, in the device of Fig. 15, the transmitting circuits (5) and the receiving circuits (6) being connected in parallel with the interconnection (1), they may, in order not to

disturb the propagation of waves along the interconnection in a detrimental way, and in order not to produce undesirable reflections at the ends of the interconnection, present high impedances to the interconnection. In the device of Fig. 15, two termination circuits (4) are necessary because waves coming from the interconnection (1) may be incident on both ends.

5 Since two termination circuits (4) are used, we may write that, for a transmitting circuit (5) in the activated state, in said part of the frequency band used for transmission,

$$\mathbf{V}_R = \frac{1}{2} \mathbf{Z}_{RC} \mathbf{I}_{TX} \quad (31)$$

where  $\mathbf{I}_{TX}$  is the column-vector of the currents flowing out of the terminals of the transmitting circuit (5) which are connected to the transmission conductors. Consequently, we find that  $\mathbf{V}_{RM}$  is given by

$$\mathbf{V}_{RM} = \frac{1}{2j\omega c_K} \Gamma_R \mathbf{T}_R^{-1} \mathbf{I}_{TX} \quad (32)$$

This fifth embodiment is intended for transmitting digital signals. In Fig. 15, the bus architecture uses a direct connection of the transmitting circuits (5) and of the receiving circuits (6) to the interconnection (1). This is not a characteristic of the invention. For instance, according to the invention, one or more of the transmitting circuits (5) and/or one or more of the receiving circuits (6) may be coupled to the interconnection (1) using one or more electromagnetic couplers. This type of coupling is for instance described in the patent of the United States of America number 7,080,186 entitled "Electromagnetically-coupled bus system". This type of indirect coupling may provide a higher transmission bandwidth.

## 20 INDICATIONS ON INDUSTRIAL APPLICATIONS

The invention is suitable for pseudo-differential transmission between integrated circuits through an interconnection having two or more transmission conductors, the transmission presenting reduced echo, reduced internal crosstalk and reduced external crosstalk. A very important point is that, since the return conductor in a way acts as an electromagnetic screen, a specialist in electromagnetic compatibility understands that the invention may provide a reduced emission of radiated disturbances and an increased immunity to radiated disturbances.

The invention is suitable for the protection against the noise produced by unwanted electromagnetic couplings in printed circuit boards. The invention is particularly advantageous to printed circuit boards comprising wide-band analog circuits or fast digital circuits. For transmitting in  $m$  transmission channels, the invention has the advantage of only requiring  $m + 1$  pins on an integrated circuit providing the functions of a transmitting circuit and of a

receiving circuit, as opposed to  $2m$  pins in the case of a transceiver for differential transmission.

The invention is suitable for the protection against the noise produced by unwanted electromagnetic couplings in flexible printed circuit boards, for instance the flexible printed circuit boards used as a link between a magnetic head of a hard disk drive and a rigid printed circuit board, or the flexible printed circuit boards used as a link between a flat panel display and a rigid printed circuit board.

The invention is particularly suitable for pseudo-differential transmission inside an integrated circuit, because it provides a good protection against the noise related to the currents flowing in the reference conductor and in the substrate of the integrated circuit.

The invention is suitable for an implementation in a data bus architecture.

The invention is particularly suitable for multilevel signaling, because this type of transmission scheme is more sensitive to noise than binary signaling.

The invention is particularly suitable for simultaneous bi-directional signaling, because this type of transmission scheme is more sensitive to noise than unidirectional signaling.

## CLAIMS

1. A method for transmitting through an interconnection (1) having  $n$  transmission conductors and a return conductor distinct from a reference conductor,  $n$  being an integer greater than or equal to 2, said method providing, in a known frequency band,  $m$  transmission channels each corresponding to a signal to be sent from the input of at least one transmitting circuit (5) to the output of at least one receiving circuit (6), where  $m$  is an integer greater than or equal to 2 and less than or equal to  $n$ , said method comprising the steps of:
- numbering said transmission conductors from 1 to  $n$  and defining, for any integer  $j$  greater than or equal to 1 and less than or equal to  $n$ , at any given abscissa along said interconnection (1), a “natural current” of index  $j$  as the current flowing on the transmission conductor number  $j$ , and a “natural voltage referenced to the return conductor” of index  $j$  as the voltage between the transmission conductor number  $j$  and said return conductor;
- modeling the interconnection (1), in a part of said known frequency band, taking into account the lumped impedances seen by the interconnection (1) and caused by the circuits connected to the interconnection (1) elsewhere than at the ends of the interconnection (1), as a  $(n + 1)$ -conductor multiconductor transmission line, said multiconductor transmission line having uniform electrical characteristics over its length, said multiconductor transmission line using said natural voltages referenced to the return conductor and said natural currents as natural electrical variables;
- determining, for said multiconductor transmission line and said known frequency band, a transition matrix from modal electrical variables to natural electrical variables, said transition matrix from modal electrical variables to natural electrical variables being non-diagonal in said part of said known frequency band;
- determining, for said multiconductor transmission line and said part of said known frequency band, the characteristic impedance matrix with respect to the return conductor;
- coupling the terminals of at least one termination circuit (4) to said return conductor and to each of said transmission conductors, said at least one termination circuit (4) being, in said part of said known frequency band, approximately characterized, for said interconnection (1), by an impedance matrix with respect to the return conductor, said impedance matrix with respect to the return conductor being a non-diagonal matrix of size  $n \times n$  approximately equal to said characteristic impedance matrix with respect to the return conductor;
- using one said transmitting circuit (5) receiving  $m$  “input signals of the transmitting circuit” corresponding each to a transmission channel, the output of said transmitting circuit (5) being coupled to the  $n$  transmission conductors, the output of said transmitting

circuit (5) delivering modal electrical variables defined by said transition matrix from modal electrical variables to natural electrical variables, each of said modal electrical variables being mainly determined by one and only one of said “input signals of the transmitting circuit”; and

5 using one said receiving circuit (6) delivering  $m$  “output signals of the receiving circuit” corresponding each to a transmission channel, the input of said receiving circuit (6) being coupled to the  $n$  transmission conductors and to said return conductor, said receiving circuit (6) combining the natural voltages referenced to the return conductor according to linear combinations, each of said “output signals of the receiving circuit”

10 being mainly determined by one and only one of said modal electrical variables defined by said transition matrix from modal electrical variables to natural electrical variables.

2. The method of claim 1, wherein, in said part of said known frequency band, each component of the matrix of the voltage reflection coefficients, with respect to the return conductor, of at least one said termination circuit (4), has an absolute value less than or equal to  $5/100$ .

15 3. A device for proportioning a device for transmitting through an interconnection (1) having  $n$  transmission conductors and a return conductor distinct from a reference conductor,  $n$  being an integer greater than or equal to 2, said device for transmitting through an interconnection (1) providing, in a known frequency band,  $m$  transmission channels, where  $m$  is an integer greater than or equal to 2 and less than or equal to  $n$ , comprising:

20 means for modeling the interconnection (1), in a part of said known frequency band, taking into account the lumped impedances seen by the interconnection (1) and caused by the circuits connected to the interconnection (1) elsewhere than at the ends of the interconnection (1), as a  $(n + 1)$ -conductor multiconductor transmission line, said multiconductor transmission line having uniform electrical characteristics over its

25 length, said multiconductor transmission line using the natural voltages referenced to the return conductor and the natural currents as natural electrical variables;

means for determining, for said multiconductor transmission line and said known frequency band, a transition matrix from modal electrical variables to natural electrical variables, said transition matrix from modal electrical variables to natural electrical variables

30 being non-diagonal in said part of said known frequency band;

means for determining, for said multiconductor transmission line and said part of said known frequency band, the characteristic impedance matrix with respect to the return conductor;

means for proportioning a termination circuit (4), said termination circuit (4) being, in said

35 part of said known frequency band, approximately characterized, for said



interconnection (1), by an impedance matrix with respect to the return conductor, said impedance matrix with respect to the return conductor being a non-diagonal matrix of size  $n \times n$  approximately equal to said characteristic impedance matrix with respect to the return conductor;

5 means for proportioning a transmitting circuit (5), said transmitting circuit (5) receiving  $m$  “input signals of the transmitting circuit”, the output of said transmitting circuit (5) being coupled to the  $n$  transmission conductors, the output of said transmitting circuit (5) delivering modal electrical variables defined by said transition matrix from modal electrical variables to natural electrical variables, each of said modal electrical variables being mainly determined by one and only one of said “input signals of the transmitting circuit”; and

means for proportioning a receiving circuit (6), said receiving circuit (6) delivering  $m$  “output signals of the receiving circuit”, the input of said receiving circuit (6) being coupled to the  $n$  transmission conductors and to said return conductor, said receiving circuit (6) combining the natural voltages referenced to the return conductor according to linear combinations, each of said “output signals of the receiving circuit” being mainly determined by one and only one of said modal electrical variables defined by said transition matrix from modal electrical variables to natural electrical variables.

4. A device for transmission providing, in a known frequency band,  $m$  transmission channels each corresponding to a signal to be sent from the input of at least one transmitting circuit (5) to the output of at least one receiving circuit (6), where  $m$  is an integer greater than or equal to 2, comprising:

an interconnection (1) having  $n$  transmission conductors and a return conductor distinct from a reference conductor,  $n$  being an integer greater than or equal to  $m$ , the interconnection (1) being structurally combined with the reference conductor throughout the length of the interconnection (1), the interconnection (1) being such that the interconnection (1) can be modeled, in a part of said known frequency band, taking into account the lumped impedances seen by the interconnection (1) and caused by the circuits connected to the interconnection (1) elsewhere than at the ends of the interconnection (1), as a  $(n + 1)$ -conductor multiconductor transmission line, said multiconductor transmission line having uniform electrical characteristics over its length, said multiconductor transmission line using the natural voltages referenced to the return conductor and the natural currents as natural electrical variables;

at least one said transmitting circuit (5) receiving  $m$  “input signals of the transmitting circuit” corresponding each to a transmission channel, the output of said at least one said transmitting circuit (5) being coupled to the  $n$  transmission conductors, the output of

5 said at least one said transmitting circuit (5) delivering modal electrical variables when said at least one said transmitting circuit (5) is in the activated state, said modal electrical variables being defined by a transition matrix from modal electrical variables to natural electrical variables of said  $(n + 1)$ -conductor multiconductor transmission line, said transition matrix from modal electrical variables to natural electrical variables being non-diagonal, each of said modal electrical variables being mainly determined by one and only one of said “input signals of the transmitting circuit”;

10 at least one said receiving circuit (6) delivering, when said at least one said receiving circuit (6) is in the activated state,  $m$  “output signals of the receiving circuit” corresponding each to a transmission channel, the input of said at least one said receiving circuit (6) being coupled to the  $n$  transmission conductors and to said return conductor, said at least one said receiving circuit (6) combining the natural voltages referenced to the return conductor according to linear combinations, each of said “output signals of the receiving circuit” being mainly determined by one and only one of said modal electrical variables defined by said transition matrix from modal electrical variables to natural electrical variables; and

15 at least one termination circuit (4) coupled to said return conductor and to each of said transmission conductors, said at least one termination circuit (4) being, when said at least one termination circuit (4) is in the activated state, approximately characterized, for said interconnection (1), at at least one quiescent operating point, for small signals in said part of said known frequency band, by an impedance matrix with respect to the return conductor, said impedance matrix with respect to the return conductor being a non-diagonal matrix of size  $n \times n$  approximately equal to the characteristic impedance matrix with respect to the return conductor of said  $(n + 1)$ -conductor multiconductor transmission line.

20

25

5. The device of claim 4, wherein the number  $m$  of transmission channels between one of said transmitting circuits (5) and one of said receiving circuits (6) is equal to the number  $n$  of transmission conductors.

30 6. The device of any of the claims 4 or 5, wherein each of said termination circuits (4) is arranged at an end of said interconnection (1).

7. The device of any of the claims 4 to 6, wherein at least one said termination circuit (4) is made of a network of resistors,  $n$  of said resistors being each connected between one of said transmission conductors and said return conductor, one or more of said resistors being each connected between two of said transmission conductors.

8. The device of any of the claims 4 to 7, wherein the impedance matrix with respect to the return conductor, of at least one said termination circuit (4) in the activated state, can be adjusted by electrical means.
9. The device of any of the claims 4 to 8, wherein at least one said termination circuit (4) has  
5 an activated state and a deactivated state, each current flowing from said at least one said termination circuit (4) to one of said transmission conductors being substantially zero when said at least one said termination circuit (4) is in the deactivated state.
10. The device of any of the claims 4 to 9, further comprising one or more damping circuits  
10 (8) coupled to said return conductor, each of said damping circuits (8) being, for said return conductor, approximately equivalent to a network consisting of a passive two-terminal circuit element connected in series with a voltage source delivering a constant voltage, said network having a first terminal coupled to said return conductor, said network having a second terminal coupled to said reference conductor.

1 / 12

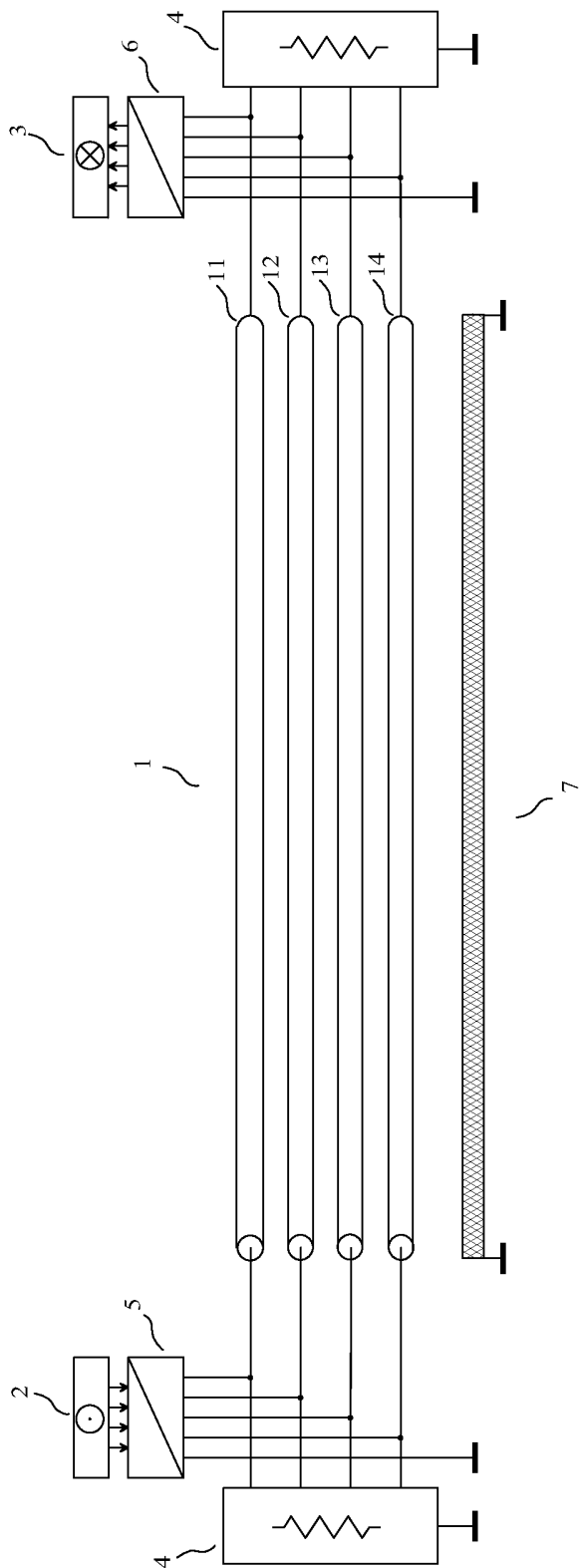


FIG. 1

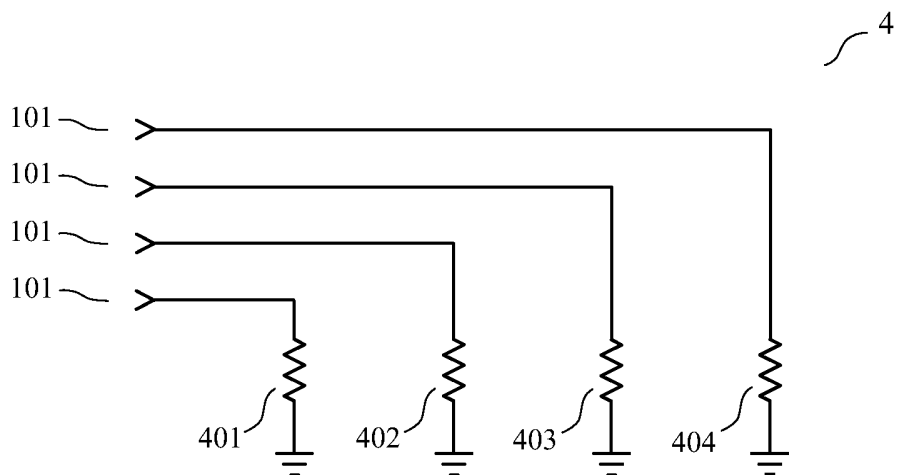


FIG. 2

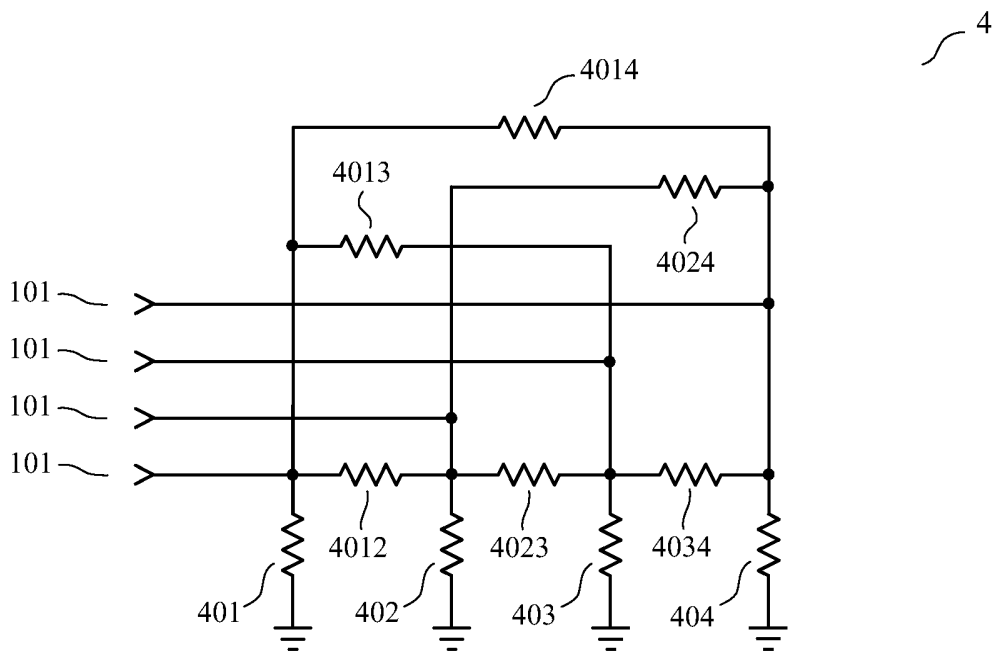


FIG. 3

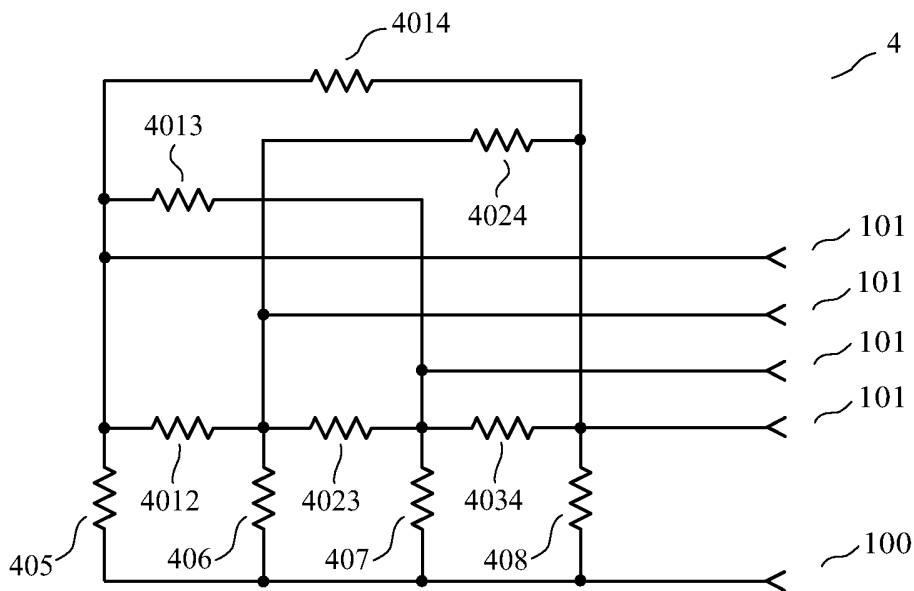


FIG. 4

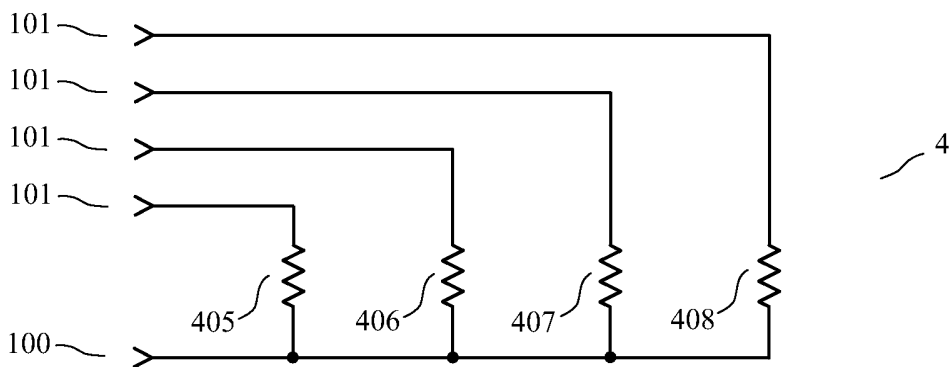


FIG. 5

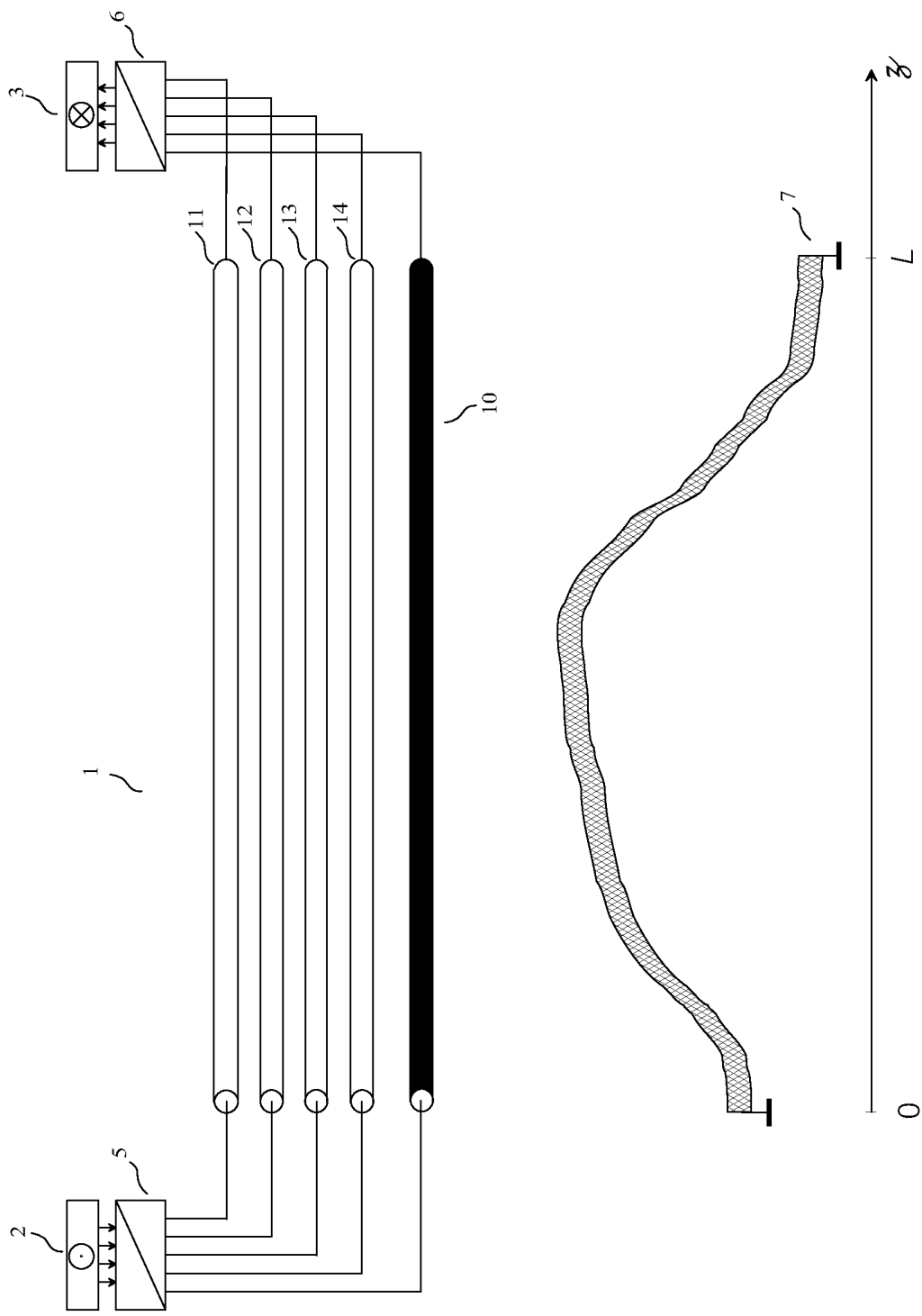


FIG. 6

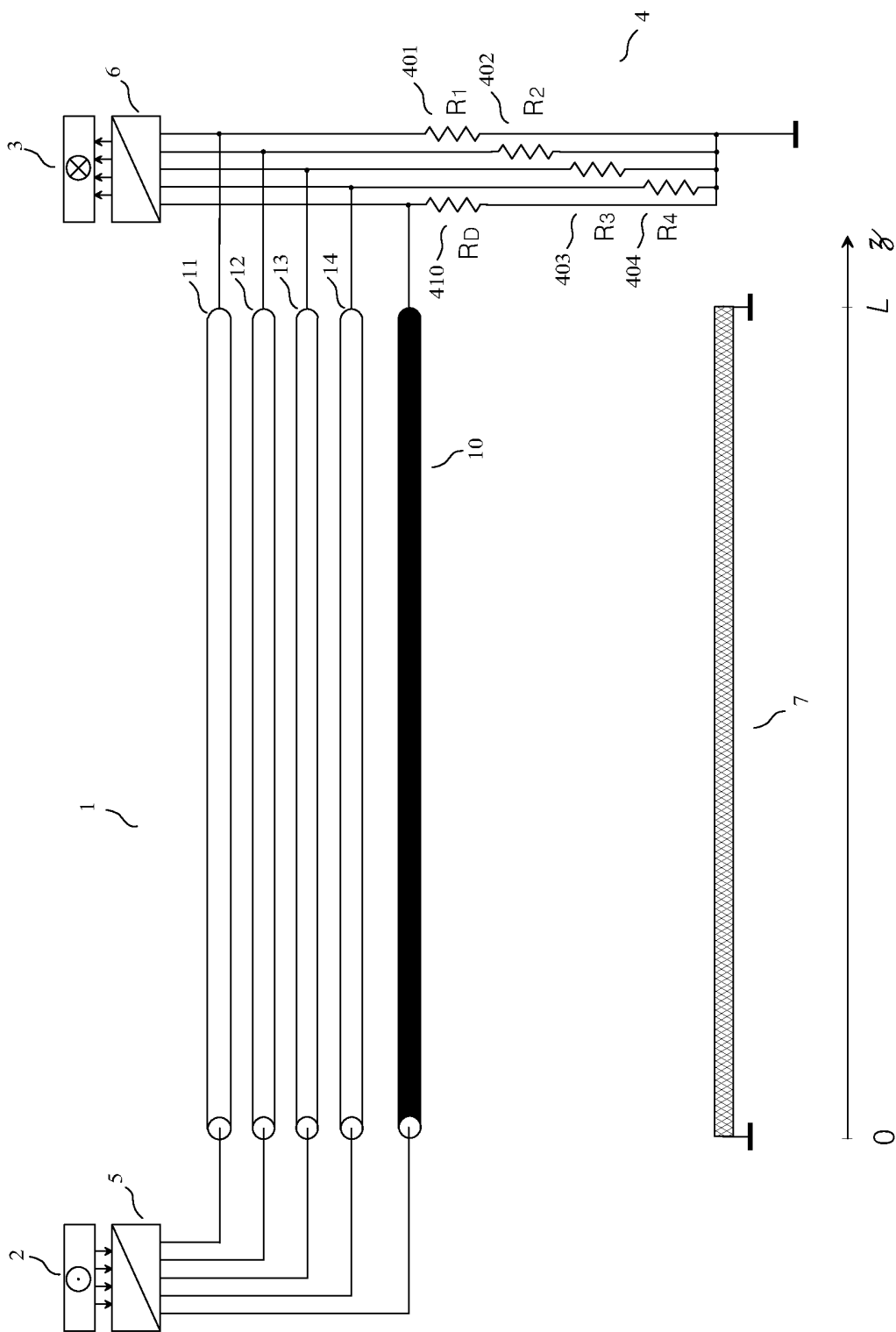


FIG. 7



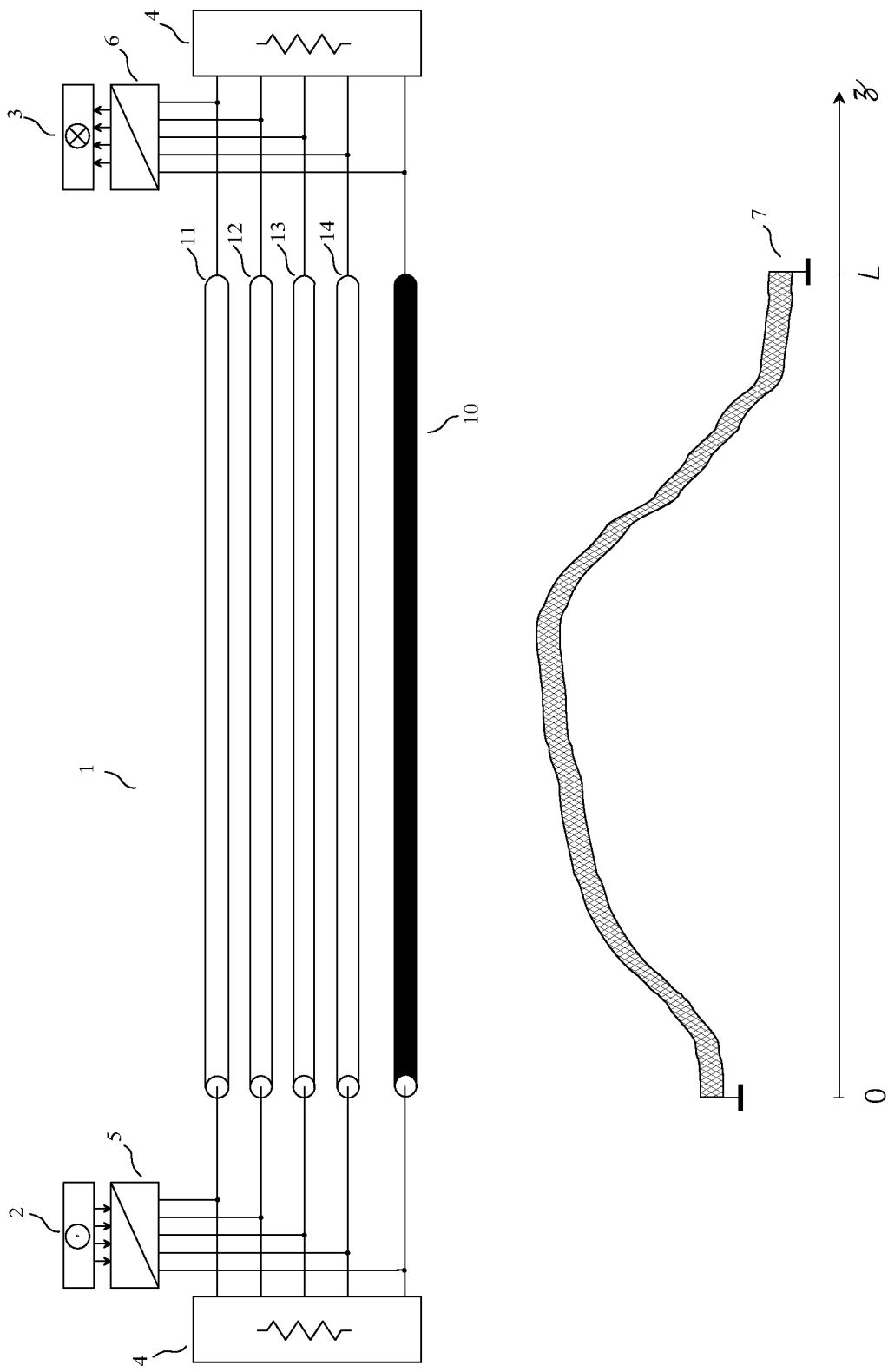


FIG. 8

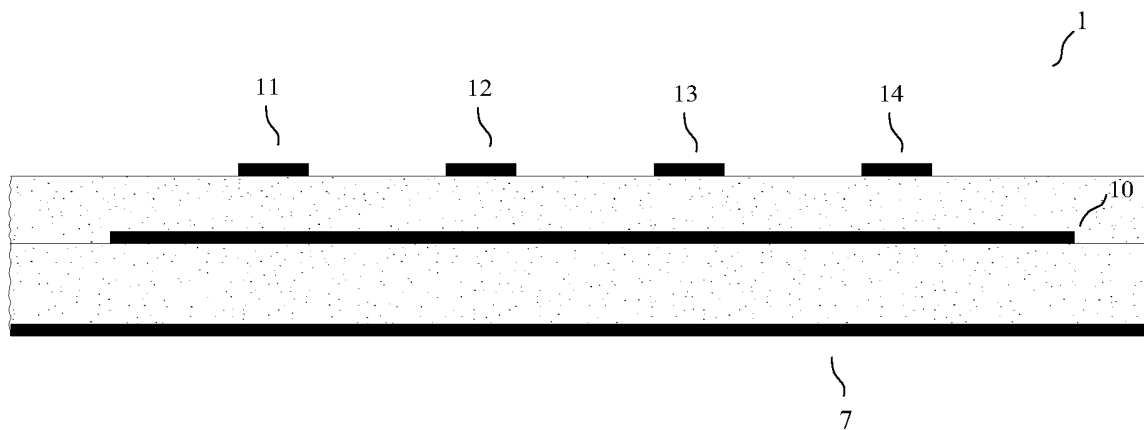


FIG. 9

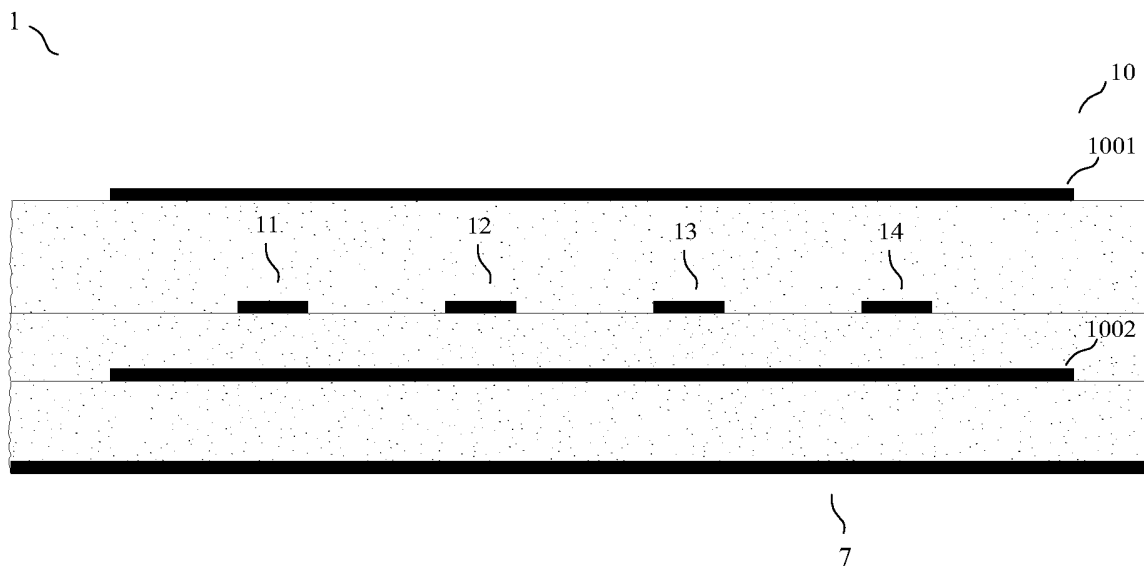


FIG. 10

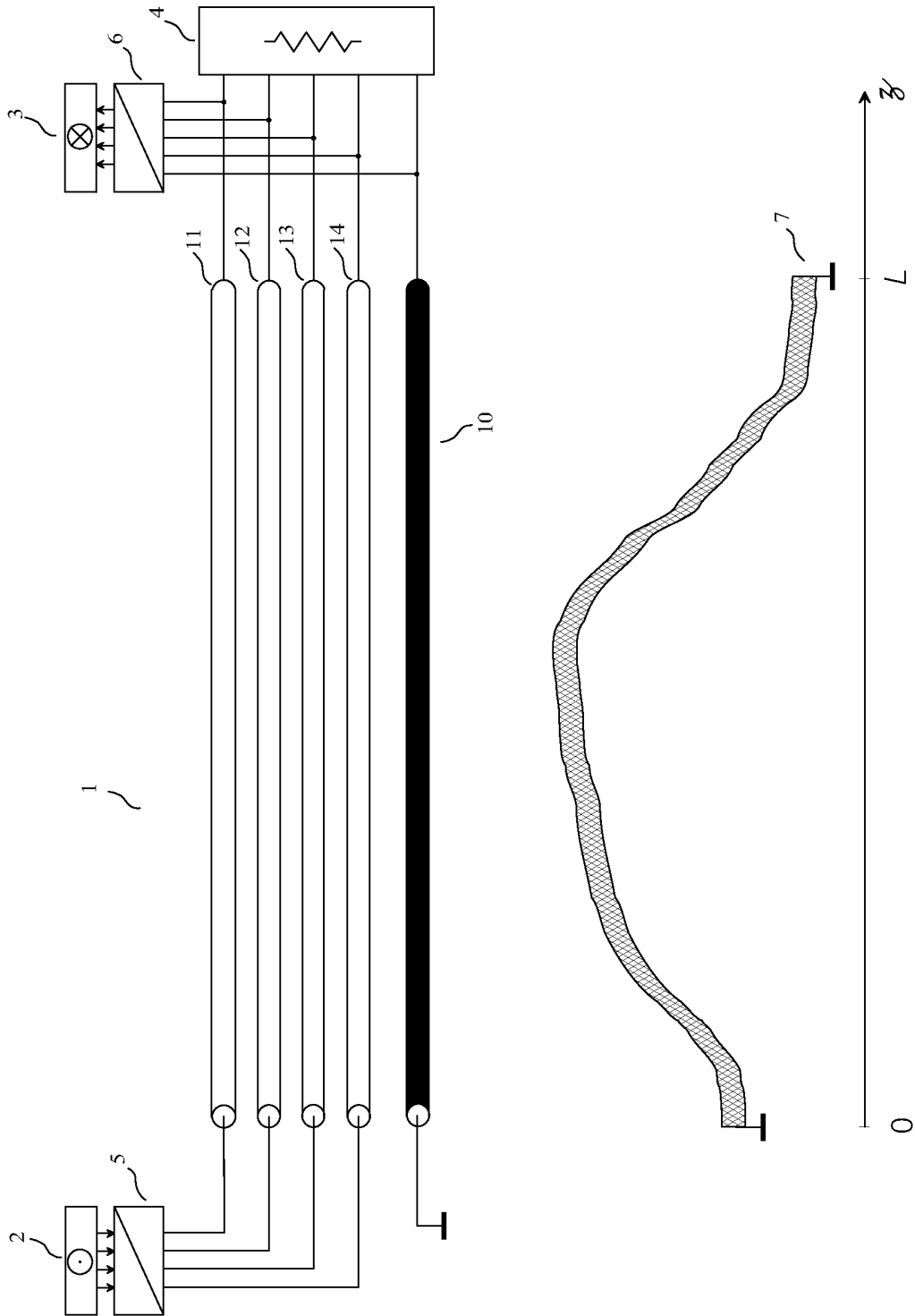


FIG. 11

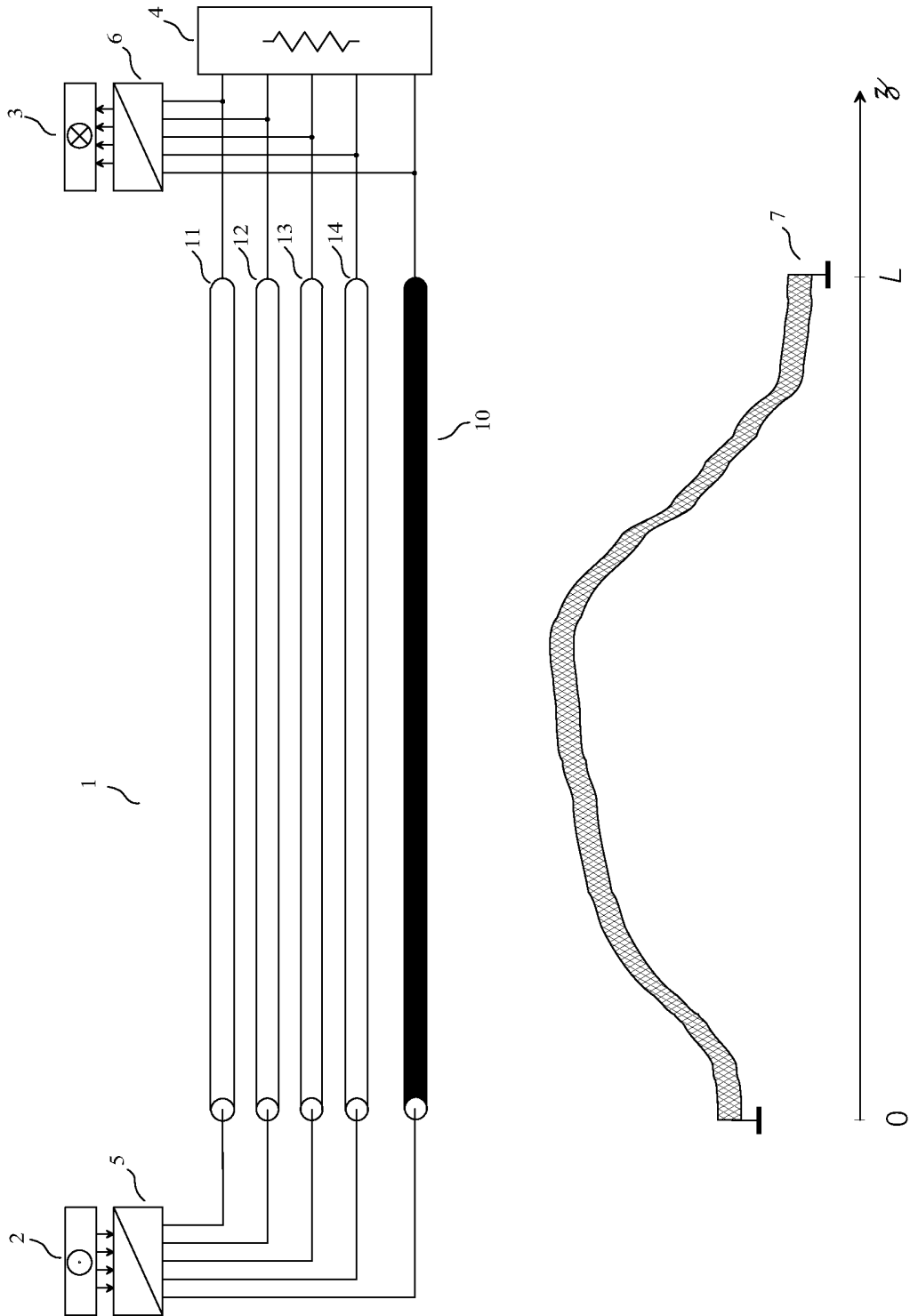


FIG. 12

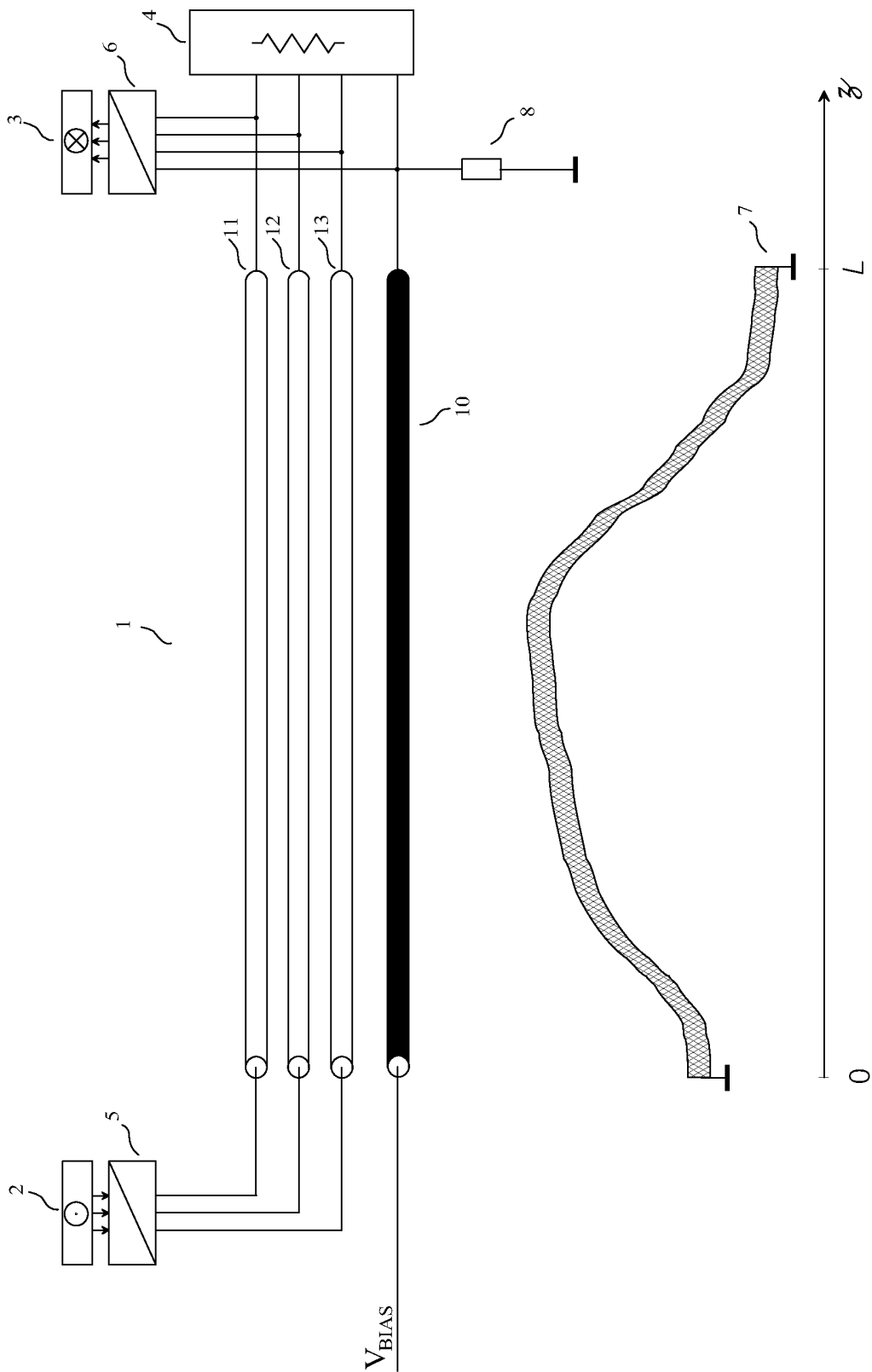


FIG. 13

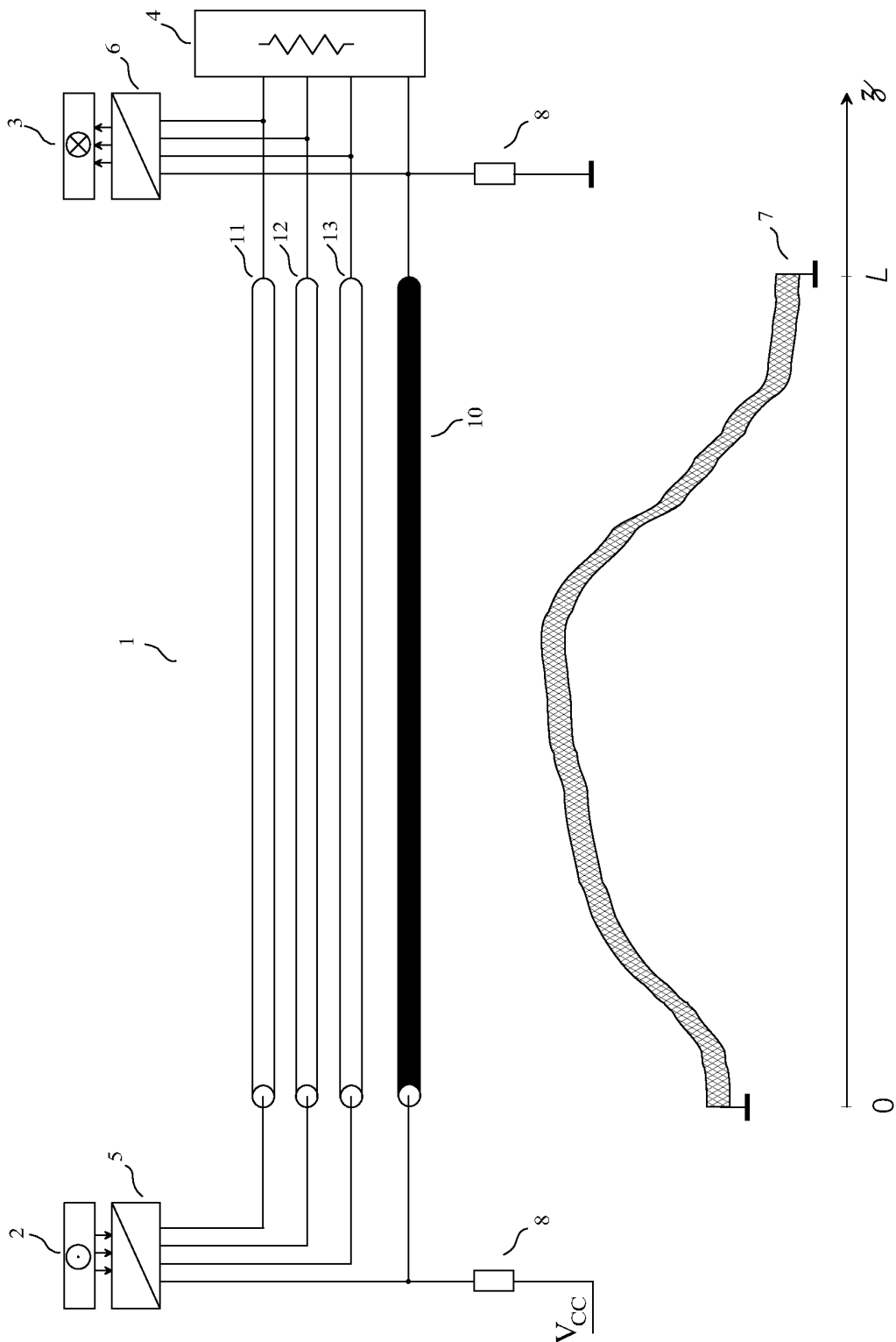


FIG. 14

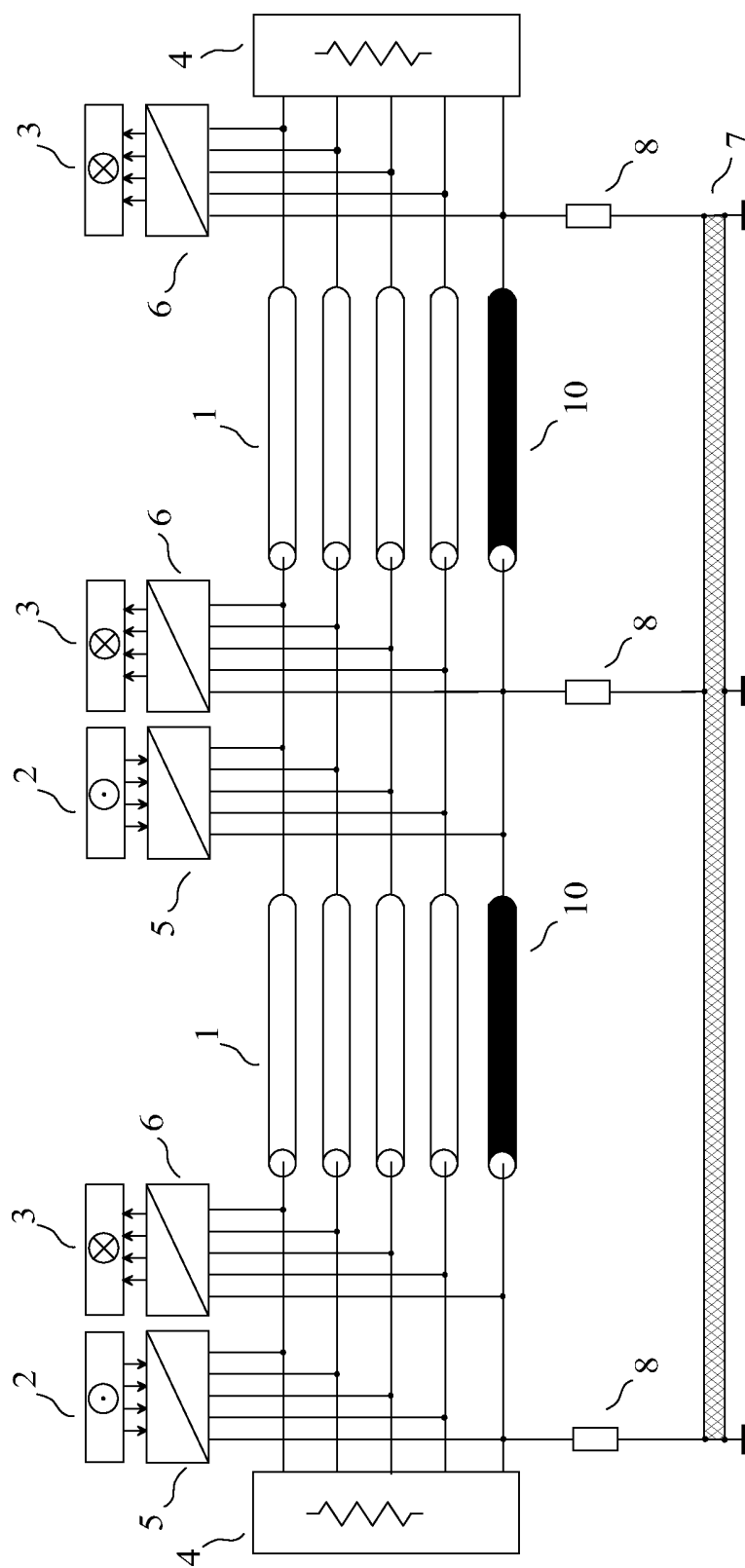


FIG. 15

# INTERNATIONAL SEARCH REPORT

International application No  
PCT/IB2009/052638

**A. CLASSIFICATION OF SUBJECT MATTER**  
INV. H04B3/32 H04L25/02

According to International Patent Classification (IPC) or to both national classification and IPC

**B. FIELDS SEARCHED**

Minimum documentation searched (classification system followed by classification symbols)  
H04B H04L

Documentation searched other than minimum documentation to the extent that such documents are included in the fields searched

Electronic data base consulted during the international search (name of data base and, where practical, search terms used)

EPO-Internal, WPI Data

**C. DOCUMENTS CONSIDERED TO BE RELEVANT**

Category*	Citation of document, with indication, where appropriate, of the relevant passages	Relevant to claim No.
Y	<p>BROYDE F ET AL: "A New Method for the Reduction of Crosstalk and Echo in Multiconductor Interconnections" IEEE TRANSACTIONS ON CIRCUITS AND SYSTEMS PART I: REGULAR PAPERS, IEEE SERVICE CENTER, NEW YORK, NY, US, vol. 52, no. 2, 1 February 2005 (2005-02-01), pages 405-416, XP011126847 ISSN: 1057-7122 cited in the application abstract; figures 1,2,5,7,9 * Alinéas I-V and IX-XI *</p> <p style="text-align: center;">----- -/--</p>	1-10

Further documents are listed in the continuation of Box C.

See patent family annex.

\* Special categories of cited documents :

- \*A\* document defining the general state of the art which is not considered to be of particular relevance
- \*E\* earlier document but published on or after the international filing date
- \*L\* document which may throw doubts on priority claim(s) or which is cited to establish the publication date of another citation or other special reason (as specified)
- \*O\* document referring to an oral disclosure, use, exhibition or other means
- \*P\* document published prior to the international filing date but later than the priority date claimed

- \*T\* later document published after the international filing date or priority date and not in conflict with the application but cited to understand the principle or theory underlying the invention
- \*X\* document of particular relevance; the claimed invention cannot be considered novel or cannot be considered to involve an inventive step when the document is taken alone
- \*Y\* document of particular relevance; the claimed invention cannot be considered to involve an inventive step when the document is combined with one or more other such documents, such combination being obvious to a person skilled in the art.
- \*&\* document member of the same patent family

Date of the actual completion of the international search

19 October 2009

Date of mailing of the international search report

09/11/2009

Name and mailing address of the ISA/  
European Patent Office, P.B. 5818 Patentlaan 2  
NL - 2280 HV Rijswijk  
Tel. (+31-70) 340-2040,  
Fax: (+31-70) 340-3016

Authorized officer

Galli, Paolo



## INTERNATIONAL SEARCH REPORT

International application No  
PCT/IB2009/052638

C(Continuation). DOCUMENTS CONSIDERED TO BE RELEVANT		
Category*	Citation of document, with indication, where appropriate, of the relevant passages	Relevant to claim No.
Y	FR 2 852 168 A (EXCEM [FR]) 10 September 2004 (2004-09-10) cited in the application abstract; figure 6 claims 1,2,6 page 3, line 22 - page 22, line 27	1-10
Y	FR 2 849 728 A (EXCEM [FR]) 9 July 2004 (2004-07-09) cited in the application abstract; claims 1,2,8,11,12; figures 2,4-10 page 11, line 31 - page 30, line 24	1-10
Y	US 6 195 395 B1 (FRODSHAM TIM [US]) 27 February 2001 (2001-02-27) cited in the application abstract column 1, line 5 - column 3, line 18 column 4, line 16 - line 34 column 5, line 45 - line 61	1-10
Y	BROYDÉ F ET AL: "A new pseudo-differential transmission scheme for on-chip and on-board interconnections" PROCEEDINGS OF THE CEM 08 INTERNATIONAL SYMPOSIUM ON ELECTROMAGNETIC COMPATIBILITY, PARIS, 20 May 2008 (2008-05-20), XP002499431 cited in the application the whole document	1-10
Y	SCOTT: "PROPAGATION OVER MULTIPLE PARALLEL TRANSMISSION LINES VIA MODES" IBM TECHNICAL DISCLOSURE BULLETIN, IBM CORP. NEW YORK, US, vol. 32, no. 11, 1 April 1990 (1990-04-01), pages 1-06, XP002063555 ISSN: 0018-8689 the whole document	1-10

# INTERNATIONAL SEARCH REPORT

Information on patent family members

International application No

PCT/IB2009/052638

Patent document cited in search report	A	Publication date	Patent family member(s)	Publication date
FR 2852168	A	10-09-2004	EP 1634386 A2	15-03-2006
			WO 2004079941 A2	16-09-2004
			US 2009121743 A1	14-05-2009
			US 2006171476 A1	03-08-2006
FR 2849728	A	09-07-2004	AU 2003296245 A1	29-07-2004
			WO 2004062129 A1	22-07-2004
			EP 1616394 A1	18-01-2006
			US 2006099926 A1	11-05-2006
			US 2007117446 A1	24-05-2007
US 6195395	B1	27-02-2001	DE 69914393 D1	04-03-2004
			DE 69914393 T2	01-07-2004
			EP 0944000 A2	22-09-1999
			HK 1024761 A1	24-09-2004
			SG 101921 A1	27-02-2004